

507706099

E13 - 9576

E16

**D.D.Bogdanov, J.Vobořil, A.V.Demyanov,  
V.A.Karnaukhov, L.A.Petrov**

**A SURFACE-IONIZATION ION SOURCE  
DESIGNED FOR IN-BEAM OPERATION  
WITH THE BEMS-2 ISOTOPE SEPARATOR**

## RANGE OF JINR PUBLICATIONS

The preprints and communications of the Joint Institute for Nuclear Research (JINR) are considered to be original publications. They are published in accordance with Article 4 of the JINR Statute. Difference between the preprints and communications consists in that text of the preprint will be published in future in one of scientific journals or in aperiodic collections.

### Indexing

The preprints, communications and deposited publications of the JINR have a single numbering (four last figures of the index).

The first sign of the index - a letter, denotes the language the paper is published in:

"P" - published in Russian;

"E" - published in English;

"D" - published both in Russian and in English.

The figure following the letter denotes the subject category of the given publication. List of subject categories of the JINR publications is sent periodically to the recipients.

Above-described index is placed in the right upper corner of the cover and on the title-page of each publication.

### References

In bibliographical references to the JINR preprints and communications we recommend to indicate: author's initials and name, an abbreviation of the name of the institute, index, place and year of publication.

An example of bibliographical reference:

*I. Ivanov. JINR, P2-4985, Dubna, 1971.*

E13 - 9576

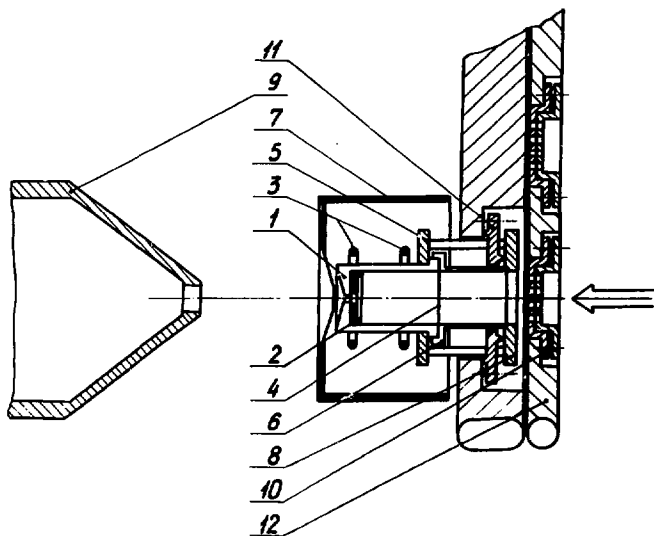
**D.D.Bogdanov, J.Vobořil, A.V.Demyanov,  
V.A.Karnaikhov, L.A.Petrov**

**A SURFACE-IONIZATION ION SOURCE  
DESIGNED FOR IN-BEAM OPERATION  
WITH THE BEMS-2 ISOTOPE SEPARATOR**

*Submitted to ИТЭ, "Nuclear Instruments and Methods"*

The present paper deals with the description of the BEMS-2 surface-ionization ion source. This device, operated in a beam from the U-300 heavy ion cyclotron, is designed for investigations of radioactive isotopes far from the  $\beta$ -stability line. Short lifetimes and small production cross sections of these isotopes impose on this type of device the main requirements such as a high efficiency, high separation rate and reliable continuous in-beam operation. The modifications made in the previous design<sup>/1/</sup> were aimed at increasing the reliability of the ion source operation at high temperatures to provide efficient ionization of rare-earth elements.

The ion source is shown schematically in *fig. 1*. The tungsten ionizer has the form of a hollow cylinder (1) open from the side of the cyclotron beam. The cylinder internal diameter, length and wall thickness are 19 mm, 20 mm and 1 mm, respectively. The size of the ionizer "entrance window" was chosen taking into account the actual dimensions of the recoil beam. The ionizer bottom is a cone with a vertex angle of  $135^\circ$ , which is designed to shape the paraxial beam of ions extracted through an exit orifice 1.5 mm in diam. From the side of the target, the ionizer is closed with a thin,  $1\mu\text{m}$ , tungsten foil (4), which is transmissive for recoil nuclei knocked out by the beam from the target. The foil is put between binding rings made of tungsten foil ( $50\mu\text{m}$ ) and pressed against the ionizer by a thin-wall (0.3 mm) tantalum cylinder (6). A tantalum recoil catcher (2) is placed



**Fig. 1. Schematic ion source: (1) ionizer, (2) tantalum catcher, (3) tungsten filaments, (4) tungsten foil, (5) and (8) tantalum rings, (6) tantalum cylinder to press the tungsten foil, (7) thermal shield, (9) extracting electrode, (10) target cassette, (11) titanium insert, (12) copper target holder.**

inside the ionizer. The ionizer, together with the tantalum cylinder (6), is held in the operating position by means of tantalum rings (5) and (8). In order to reduce heat transfer, these rings are fastened by a titanium insert with sharp teeth onto a bulky water-cooled copper holder. On the other side of the holder, a copper target cassette (10) is mounted.

The ionizer is heated by bombardment with an electron beam emitted by two tungsten filaments (3), which have independent power supplies. The ionizer and filaments are covered by a three-layer thermal shield (7) manufactured of 0.1 mm tantalum sheets.

Other changes in the design of the ion source, as compared with the version described in ref. <sup>/1/</sup>, concern the target assembly. For some experiments, where a fast replacement of targets is needed, we have designed and manufactured a water-cooled movable frame (12) to hold two targets simultaneously. The shift of the frame, i.e., the replacement of a target, is performed by an electric motor without violating the vacuum. In addition, a thermal shield of thin graphite film ( $50-100 \mu\text{g}/\text{cm}^2$ ) is inserted between the ionizer and the target. The film is fastened on the copper target cassette from the side of the ionizer. The matter is that, despite the intense cooling of the copper holder (12), the powerful thermal radiation of the ionizer heated to a high temperature leads to a considerable heating of the target foil. In initial experiments <sup>/2/</sup> we used targets prepared of high-melting metal foils (Zr, Nb and Mo). The use of substance deposits on an aluminium backing as targets was practically impossible. The insertion of the graphite shielding film considerably decreased the temperature of the target and made it possible to carry out continued bombardments of cadmium oxide deposited onto a  $5 \mu\text{m}$  aluminium backing. A reliable thermal protection of the target is especially important in the case where expensive enriched isotopes are used.

Reaction products knocked out from the thin target by projectiles pass through the entrance foil to be implanted into a very hot tantalum catcher. The implanted atoms diffuse to the surface of the catcher, are then evaporated and ionized with a certain probability during collisions with the hot walls of the ionizer. Then the ions are extracted from the ionizer cavity through the exit orifice to be then accelerated by an electrostatic field.

Now we shall present some of the experimental data obtained with this ion source. *Figure 2* shows the dependence of the separation efficiency for rare-earth elements (Eu, Dy, La) as a function of the electron beam power. The measurements have been performed with the radioactive isotopes of these elements,  $^{140}\text{Eu}$ ,  $^{150}\text{Dy}$  and  $^{126}\text{La}$ , produced in reactions induced by  $190 \text{ MeV } ^{32}\text{S}$

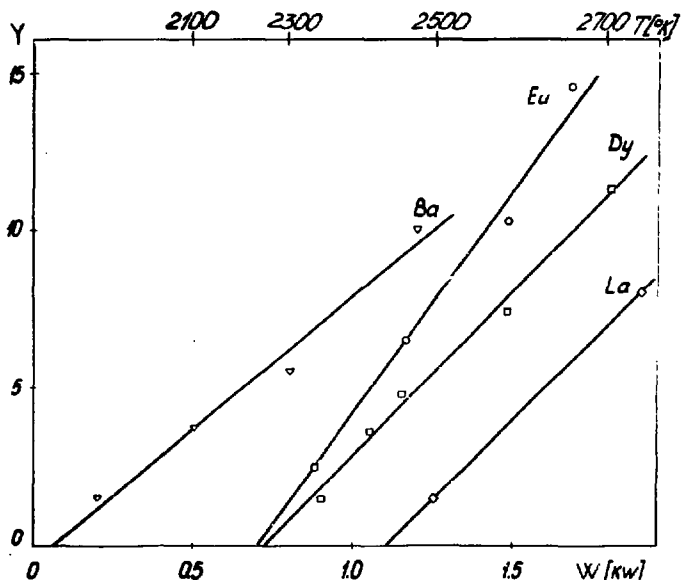


Fig. 2. The separation efficiency (in relative units) for Ba, Dy, Eu and La as a function of the electron beam power and the ionizer temperature. The curve for rare-earth elements is drawn through the points for dysprosium.

ions in  $^{112}\text{Sn}$ ,  $^{124}\text{Sn}$  and  $^{98}\text{Ru}$  targets, respectively. For comparison, fig. 2 also shows the dependence of the Ba separation efficiency upon the temperature of the ionizer. The temperature was measured by an optical pyrometer in the vicinity of the exit orifice.

The  $\alpha$ -active isotope  $^{150}\text{Dy}$  ( $T_{1/2} = 7$  min) was produced as a result of the reaction involving the evaporation of 6 neutrons in the bombardment of the enriched isotope  $^{124}\text{Sn}$  by  $^{32}\text{S}$  ions (the target was prepared by depositing a  $2$  mg/cm<sup>2</sup> layer of oxide onto a  $1$   $\mu\text{m}$  golden foil). To detect the decay of  $^{150}\text{Dy}$ , the device described in ref.<sup>1/</sup> was used in the focal plane of the isotope separator. The isotopes  $^{140}\text{Eu}$  ( $T_{1/2} = 1.4$  sec)

and  $^{126}\text{La}$  ( $T_{1/2} = 60 \text{ sec}$ ) were detected by  $\beta$ -activity in the focal plane of the isotope separator adjusted for the separation of isobars with  $A=140$  and  $126$ . The dependences of the separation efficiency for these elements on the heating of the ionizer have the shape of threshold curves. This is possibly due to the intensive formation of the rare-earth oxides at an ionizer temperature lower than the threshold one. The oxygen amount inside the ionizer at a residual pressure of  $10^{-5}$  torr is sufficient to oxidize the atoms of the element investigated. These oxides break down on the hot tungsten walls with a probability depending on the temperature. The thermodyna-

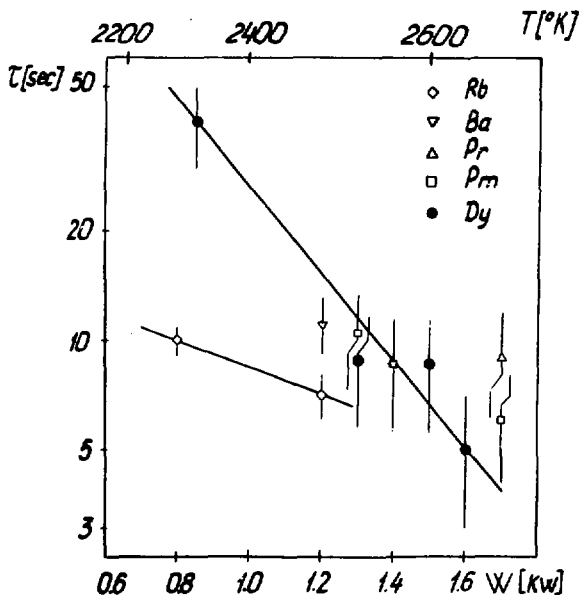


Fig. 3. Hold-up times for dysprosium, promethium, praseodymium, barium and rubidium in the ion source as a function of the intensity of the ionizer warming-up.



mic equilibrium of this process at a temperature lower than the threshold one is displaced toward the higher oxide concentration<sup>/4/</sup>.

The absolute separation efficiency for <sup>150</sup>Dy was determined for T = 2600°K. The activity of <sup>150</sup>Dy in the focal plane was compared with the 7-min α-activity of recoil nuclei knocked out from the target. To determine the latter activity, we placed a tantalum grid between the target and the ionizer for stopping a half of the recoil nuclei. The quantity of <sup>150</sup>Dy left on this grid was determined after bombardments. As a result, the efficiency was obtained to be equal to (20 ± 5)%.

The ion-source hold-up times for dysprosium (<sup>150</sup>Dy), promethium (<sup>134</sup>Pm), praseodymium (<sup>131</sup>Pr), barium (<sup>122</sup>Ba) and rubidium (<sup>77</sup>Rb) have been measured. In these experiments the projectile beam was periodically shut down and the activity build-up was measured as a function of time in the focal plane of the isotope separator. The results of these measurements are presented in fig. 3. The separation rate both for rubidium and for cesium<sup>/1/</sup> is apparently determined by the diffusion of atoms from the catcher. In the case of dysprosium at T=2300-2500°K the hold-up time is substantially longer than that for rubidium. This can be associated with the much longer adsorption time of dysprosium atoms on the ionizer walls<sup>/3/</sup>. The hold-up times measured for rare-earth elements (praseodymium, promethium and dysprosium) and barium at T = 2500-2700°K are in the range of 5 to 10 sec.

The experience of operating this ion source has shown that it is very reliable and convenient in operation.

The authors are grateful to Professor G.N.Flerov for his attention to the work, to the cyclotron staff for providing bombardments, and to V.M.Pločko for manufacturing graphite films.

#### REFERENCES

1. V.A.Karnaukhov, D.D.Bogdanov, A.V.Demyanov, G.I.Koval and L.A.Petrov. *Nucl. Instr. and Meth.*, 120., 69 /1974/.

2. *L.D. Bogdanov, A.V. Demyanov, V.A. Karnaukhov, L.A. Petrov. Yad. Fiz., 21, 233 /1975/.*
3. *B.K. Medvedev, N.I. Popov, Yu.I. Belyakov. FTT, 15, 2620 /1973/.*
4. *W. Weiershausen. Ann. Phys., 7, 252 /1965/.*

*Received by Publishing Department  
on March 1, 1976.*

## WILL YOU FILL BLANK SPACES IN YOUR LIBRARY?

You can receive by post the books listed below. Prices - in US \$,  
including the packing and registered postage

D10-6142	Proceedings of the International Symposium on Data Handling of Bubble and Spark Chambers. Dubna, 1971.	564 pg	9.96
D13-6210	Proceedings of the Vth International Symposium on Nuclear Electronics. Warsaw, 1971.	372 pg	6.36
D1-6349	Proceedings of the IVth International Conference on High Energy Physics and Nuclear Structure. Dubna, 1971.	670 pg	9.92
D-6840	Proceedings of the Second International Symposium on High Energy and Elementary Particle Physics (Strbske Pleso, CSSR, 1972).	398 pg	6.78
D2-7161	Proceedings of the III International Seminar on Non-Local Quantum Field Theory. Alushta, 1973.	280 pg	5.00
D1,2-7411	Deep Inelastic and Many-Body Processes. Dubna, 1973.	507 pg	8.76
D13-7616	Proceedings of the VII International Symposium on Nuclear Electronics. Budapest, 1973.	372 pg	5.62
P1,2-7642	Proceedings of the International School of Young Physicists on High Energy Physics. Gomel, 1973.	623 pg	10.53
D10-7707	Meeting on Programming and Mathematical Methods for Solving the Physical Problems. Dubna, 1973.	564 pg	8.23
D1,2-7781	Proceedings of the III International Symposium on High Energy and Elementary Particle Physics. Sinaia, Romania, 1973.	478 pg	7.29
D3-7991	Proceedings of the II International School on Neutron Physics. Alushta, 1974.	554 pg	4.35
D1,2-8405	Proceedings of the IV International Symposium on High Energy and Elementary Particle Physics. Varna, 1974.	376 pg	3.89
D10,11-8450	International School on Use of Computers in Nuclear Research. Tashkent, 1974.	465 pg	4.52

P1,2-8529	The International School-Seminar of Young Scientists. Actual Problems of Elementary Particle Physics. Sochi, 1974.	582 pg	4.70
D6-8846	XIV Symposium on Nuclear Spectroscopy and Nuclear Theory. Dubna, 1975:	180 pg	3.70
E2-9086	Proceedings of the 1975 JINR-CERN School of Physics. Alushta, 1975.	462 pg	16.00
D13-9164	Proceedings of the International Meeting on Proportional and Drift Chambers. Dubna, 1975:	344 pg	10.00
D1,2-9224	Proceedings of the IV International Seminar on High Energy Physics Problems. Dubna, 1975.	307 pg	4.80
	Proceedings of the VI European Conference on Controlled Fusion and Plasma Physics. Moscow, 1973, v. I.	666 pg	21.00
	Proceedings of the VI European Conference on Controlled Fusion and Plasma Physics. Moscow, 1973, v. II.	466 pg	15.00
D13-9287	Proceedings of the VIII International Symposium on Nuclear Electronics. Dubna, 1975	469 pg.	6.6
D1,2-9342	Proceedings of the V International Symposium on High Energy and Elementary Particle Physics. Warsaw, 1975.	339 pg.	6.6.

Orders for the above-mentioned books can be sent at the address:  
Publishing Department, JINR  
Head Post Office, P.O. Box 79  
101000 Moscow, USSR

**SUBJECT CATEGORIES  
OF THE JINR PUBLICATIONS**

<b>Index</b>	<b>Subject</b>
1.	<b>High energy experimental physics</b>
2.	<b>High energy theoretical physics</b>
3.	<b>Low energy experimental physics</b>
4.	<b>Low energy theoretical physics</b>
5.	<b>Mathematics</b>
6.	<b>Nuclear spectroscopy and radiochemistry</b>
7.	<b>Heavy ion physics</b>
8.	<b>Cryogenics</b>
9.	<b>Accelerators</b>
10.	<b>Automatization of data processing</b>
11.	<b>Computing mathematics and technique</b>
12.	<b>Chemistry</b>
13.	<b>Experimental techniques and methods</b>
14.	<b>Solid state physics. Liquids</b>
15.	<b>Experimental physics of nuclear reactions at low energies</b>
16.	<b>Health physics. Shieldings</b>
17.	<b>Theory of condensed matter</b>



## Conditions of Exchange

The preprints and communications of the Joint Institute for Nuclear Research are distributed free of charge on the mutual exchange basis to the universities, institutes, libraries, scientific groups of more than 50 countries.

Besides the regular distribution on the exchange basis, the Publishing Department fulfils annually about 4000 individual requests for our preprints and communications. The index of our publication must be obligatory indicated in such requests.

## Addresses

Letters on all the questions concerning the exchange of publications as well as requests for individual publications are to be sent at the address:

*Publishing Department  
Joint Institute for  
Nuclear Research  
Head Post Office,  
P.O. Box 79  
101000 Moscow,  
U.S.S.R.*

We kindly ask to send all the publications on the exchange basis and also free of charge subscriptions to scientific journals at the address:

*Scientific-Technical Library  
Joint Institute for  
Nuclear Research  
Head Post Office  
P.O. Box 79  
101000 Moscow,  
U.S.S.R.*

Издательский отдел Объединенного института ядерных исследований.

Заказ 21112. Тираж 520. Уч.-изд. листов 0,5.

Редактор Э.В.Ивашкевич.

Корректор Р.Д.Фомина

Подписано к печати 18.03.76 г.

Перевод Л.В.Пашкевич