

Sta 6
NOV 03 1994

12 ENGINEERING DATA TRANSMITTAL

Page 1 of 1
1. EDT 605069

2. To: (Receiving Organization) Solid Waste Management Facility Engineering	3. From: (Originating Organization) Solid Waste Management Facility Engineering	4. Related EDT No.: N/A
5. Proj./Prog./Dept./Div.: Organization code: 87250	6. Cog. Engr.: R.W. Whitlock	7. Purchase Order No.: N/A
8. Originator Remarks: None		9. Equip./Component No.: N/A
		10. System/Bldg./Facility: Burial Grounds
11. Receiver Remarks:		12. Major Assm. Dwg. No.: N/A
		13. Permit/Permit Application No.: N/A
		14. Required Response Date: 10/25/94

15. DATA TRANSMITTED					(F)	(G)	(H)	(I)
(A) Item No.	(B) Document/Drawing No.	(C) Sheet No.	(D) Rev. No.	(E) Title or Description of Data Transmitted	Approval Designator	Reason for Transmittal	Originator Disposition	Receiver Disposition
1	WHC-SD-W025-EMS-002		0	Weight/Balance Portable Test Equipment	N/A	1		

16. KEY			
Approval Designator (F)	Reason for Transmittal (G)		Disposition (H) & (I)
E, S, Q, D or N/A (see WHC-CM-3-5, Sec.12.7)	1. Approval 2. Release 3. Information	4. Review 5. Post-Review 6. Dist. (Receipt Acknow. Required)	1. Approved 2. Approved w/comment 3. Disapproved w/comment 4. Reviewed no/comment 5. Reviewed w/comment 6. Receipt acknowledged

17. SIGNATURE/DISTRIBUTION (See Approval Designator for required signatures)											
(G)	(H)	(J) Name	(K) Signature	(L) Date	(M) MSIN	(J) Name	(K) Signature	(L) Date	(M) MSIN	Reason	Disp.
1	1	Cog. Eng. R.W. Whitlock	<i>R. Whitlock</i>	11/3/94	T4-03						
1	1	Cog. Mgr. D.B. Powell	<i>D. Powell</i>	11/3/94	T4-03						
		QA									
		Safety									
		Env.									
3		Central Files			L804						
3		O.S.T.I. (2)			L807						

18. Signature of EDT Originator <i>R. Whitlock</i> Date: 11/3/94	19. Authorized Representative Date for Receiving Organization	20. Cognizant Manager Date <i>D. Powell</i> Date: 11/3/94	21. DOE APPROVAL (if required) Ctrl. No. <input type="checkbox"/> Approved <input type="checkbox"/> Approved w/comments <input type="checkbox"/> Disapproved w/comments
--	---	---	---

DISCLAIMER

Portions of this document may be illegible in electronic image products. Images are produced from the best available original document.

RELEASE AUTHORIZATION

Document Number: WHC-SD-W025-EMS-002, REV.0

Document Title: Weight/Balance Portable Test Equipment

Release Date: November 3, 1994

This document was reviewed following the
procedures described in WHC-CM-3-4 and is:

APPROVED FOR PUBLIC RELEASE

WHC Information Release Administration Specialist:

Jammar Kohn for
C. Willingham

November 3, 1994

TRADEMARK DISCLAIMER. Reference herein to any specific commercial product, process, or service by trade name, trademark, manufacturer, or otherwise, does not necessarily constitute or imply its endorsement, recommendation, or favoring by the United States Government or any agency thereof or its contractors or subcontractors.

This report has been reproduced from the best available copy. Available in paper copy and microfiche. Printed in the United States of America. Available to the U.S. Department of Energy and its contractors from:

U.S. Department of Energy
Office of Scientific and Technical Information (OSTI)
P.O. Box 62
Oak Ridge, TN 37831
Telephone: (615) 576-8401

Available to the public from: U.S. Department of Commerce
National Technical Information Service (NTIS)
5285 Port Royal Road
Springfield, VA 22161
Telephone: (703) 487-4650

MASTER

20 11/3/94

SUPPORTING DOCUMENT

1. Total Pages **86**

2. Title

Weight/Balance Portable Test Equipment

3. Number

WHC-SD-W025-EMS-002

4. Rev No.

0

5. Key Words

Lined Trench, Trench #31, Leachate, Loadout Pad

6. Author

Name: R. W. Whitlock

R. W. Whitlock
Signature

11/3/94

Organization/Charge Code 87250/A7D38

**APPROVED FOR
PUBLIC RELEASE**

(W) 11/3/94

7. Abstract

This document shows the general layout, and gives a part description for the Weight/Balance Test Equipment.

DISCLAIMER

This report was prepared as an account of work sponsored by an agency of the United States Government. Neither the United States Government nor any agency thereof, nor any of their employees, makes any warranty, express or implied, or assumes any legal liability or responsibility for the accuracy, completeness, or usefulness of any information, apparatus, product, or process disclosed, or represents that its use would not infringe privately owned rights. Reference herein to any specific commercial product, process, or service by trade name, trademark, manufacturer, or otherwise does not necessarily constitute or imply its endorsement, recommendation, or favoring by the United States Government or any agency thereof. The views and opinions of authors expressed herein do not necessarily state or reflect those of the United States Government or any agency thereof.

8. RELEASE STAMP

OFFICIAL RELEASE
BY WHC
DATE NOV 03 1994
Stale

12

The following pages show the general layout and details of the Weight/Balance Portable Test Equipment. This equipment can aid in the regulating of the leachate being loading into a tanker.

W025, TRENCH 31 & TRENCH 34, LEACHATE TRANSPORT
 TANKERS (POLAR, HO-64-3858 & HO-64-3859)
 WEIGHT/BALANCE PORTABLE TEST EQUIPMENT,
 SKETCH 1 SHEET 1

DATA INSTRUMENTS PRESSURE
 TRANSDUCER, MODEL XPRO,
 0-15 PSIG, 4-20MA OUTPUT,
 1/4" MALE NPT THREAD WITH
 CABLE CONNECTOR

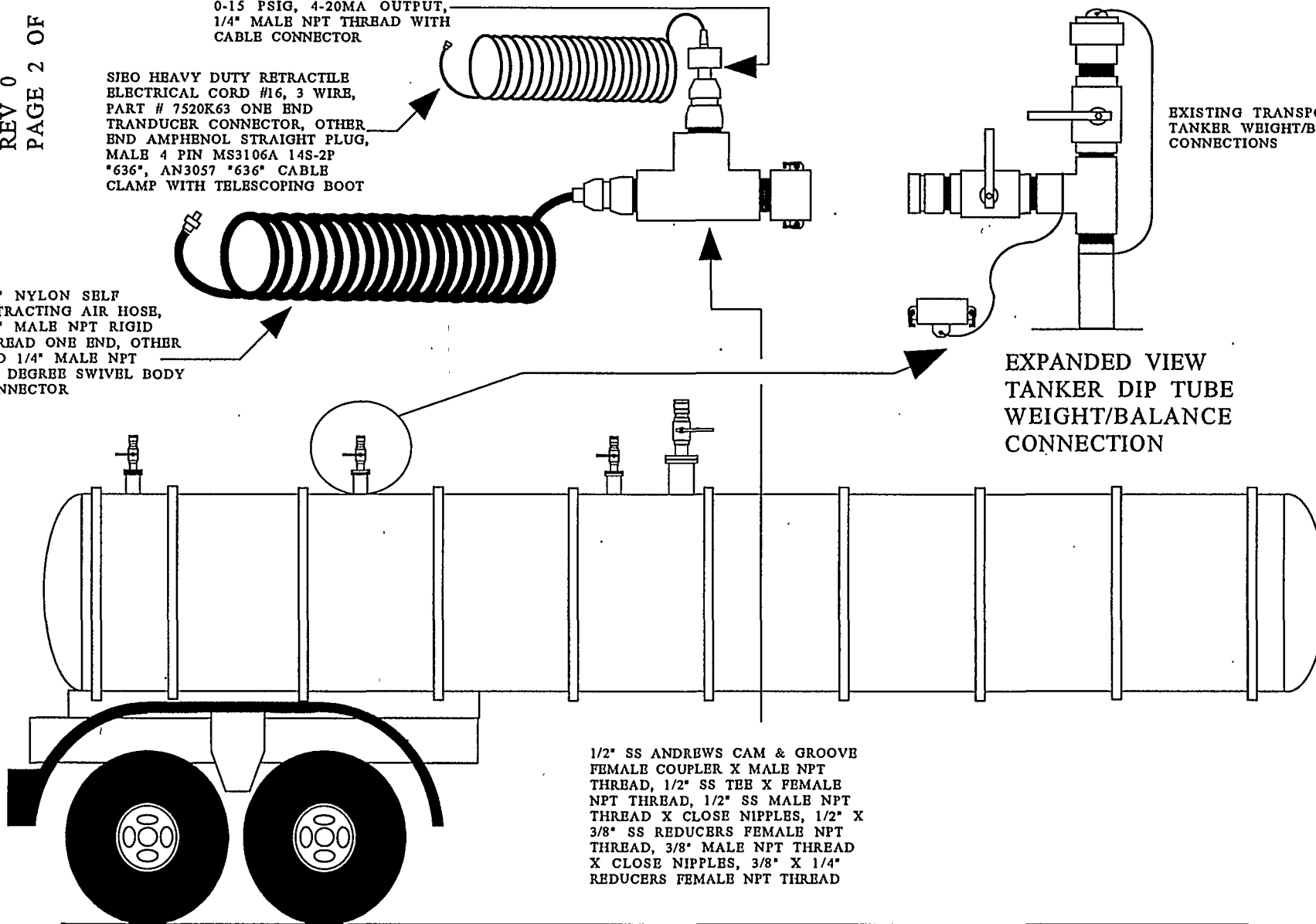
SIBO HEAVY DUTY RETRACTIBLE
 ELECTRICAL CORD #16, 3 WIRE,
 PART # 7520K63 ONE END
 TRANSDUCER CONNECTOR, OTHER
 END AMPHENOL STRAIGHT PLUG,
 MALE 4 PIN MS3106A 14S-2P
 *636", AN3057 *636" CABLE
 CLAMP WITH TELESCOPING BOOT

1/4" NYLON SELF
 RETRACTING AIR HOSE,
 1/4" MALE NPT RIGID
 THREAD ONE END, OTHER
 END 1/4" MALE NPT
 360 DEGREE SWIVEL BODY
 CONNECTOR

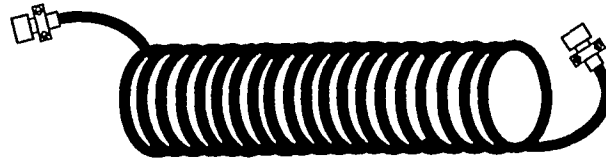
EXISTING TRANSPORT
 TANKER WEIGHT/BALANCE
 CONNECTIONS

EXPANDED VIEW
 TANKER DIP TUBE
 WEIGHT/BALANCE
 CONNECTION

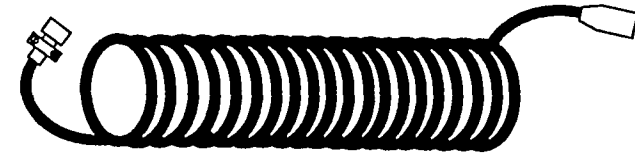
1/2" SS ANDREWS CAM & GROOVE
 FEMALE COUPLER X MALE NPT
 THREAD, 1/2" SS TEE X FEMALE
 NPT THREAD, 1/2" SS MALE NPT
 THREAD X CLOSE NIPPLES, 1/2" X
 3/8" SS REDUCERS FEMALE NPT
 THREAD, 3/8" MALE NPT THREAD
 X CLOSE NIPPLES, 3/8" X 1/4"
 REDUCERS FEMALE NPT THREAD



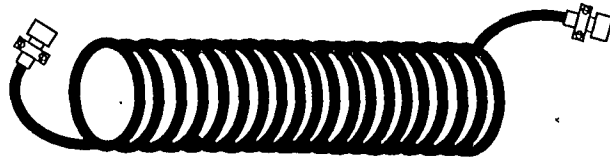
W025, TRENCH 31 & TRENCH 34, LEACHATE TRANSPORT
TANKERS (POLAR, HO-64-3858 & HO-64-3859)
WEIGHT/BALANCE PORTABLE TEST EQUIPMENT,
SKETCH 1 SHEET 2



SJEO HEAVY DUTY RETRACTILE ELECTRICAL CORD, #16,
3 WIRE, PART# 7520K63, ONE END AMPHENOL
STRAIGHT PLUG MALE 4 PIN MS3106A 14S-2P "636",
AN3057 "636", CABLE CONNECTOR WITH TELESOPING
BOOT OTHER END AMPHENOL CABLE RECEPTACLE,
FEMALE 4 PIN, MS3101A 14S-2S "636", AN3057 "636"
CABLE CONNECTOR WITH TELESOPING BOOT, LAND
BLACK WIRE ON PIN #1, WHITE WIRE ON PIN #2 AND
GREEN WIRE ON PIN #3



SJEO HEAVY DUTY RETRACTILE ELECTRICAL CORD, #16,
3 WIRE, PART# 7520K63, ONE END TRANSDUCER
CONNECTOR, OTHER END AMPHENOL STRAIGHT PLUG
MALE 4 PIN MS3106A 14S-2P "636", AN3057 "636"
CABLE CONNECTOR WITH TELESOPING BOOT



SJEO HEAVY DUTY RETRACTILE ELECTRICAL CORD, #16,
3 WIRE, PART# 7520K63, BOTH ENDS AMPHENOL
STRAIGHT PLUG MALE 3 PIN MS3106A 14S-1P "636",
AN3057 "636" CABLE CONNECTOR WITH TELESOPING
BOOT, LAND BLACK WIRE ON PIN #1, WHITE WIRE ON
PIN #2 AND GREEN WIRE ON PIN #3



SJEO HEAVY DUTY RETRACTILE ELECTRICAL CORD, #12,
3 WIRE, PART# 7520K23, ONE END AMPHENOL
STRAIGHT PLUG MALE 5 PIN MS3106A 14S-5P "636",
AN3057 "636" CABLE CONNECTOR WITH TELESOPING
BOOT, OTHER END 120VAC STANDARD 3 PIN
RECEPTACLE PLUG, (AMPHENOL END) LAND BLACK
WIRE ON PIN #1, WHITE WIRE ON PIN #2 AND GREEN
WIRE ON PIN #3, OTHER END LAND BLACK WIRE ON
HOT SCREW, WHITE WIRE ON NEUTRAL SCREW AND
GREEN WIRE ON GROUND SCREW

W025, TRENCH 31 & TRENCH 34, LEACHATE
 TRANSPORT TANKERS (POLAR, HO-64-3858
 & HO-64-3859) WEIGHT/BALANCE PORTABLE
 TEST EQUIPMENT,
 SKETCH 1 SHEET 3

WHC-SD-W025-EMS-002
 REV 0
 PAGE 4 OF 5

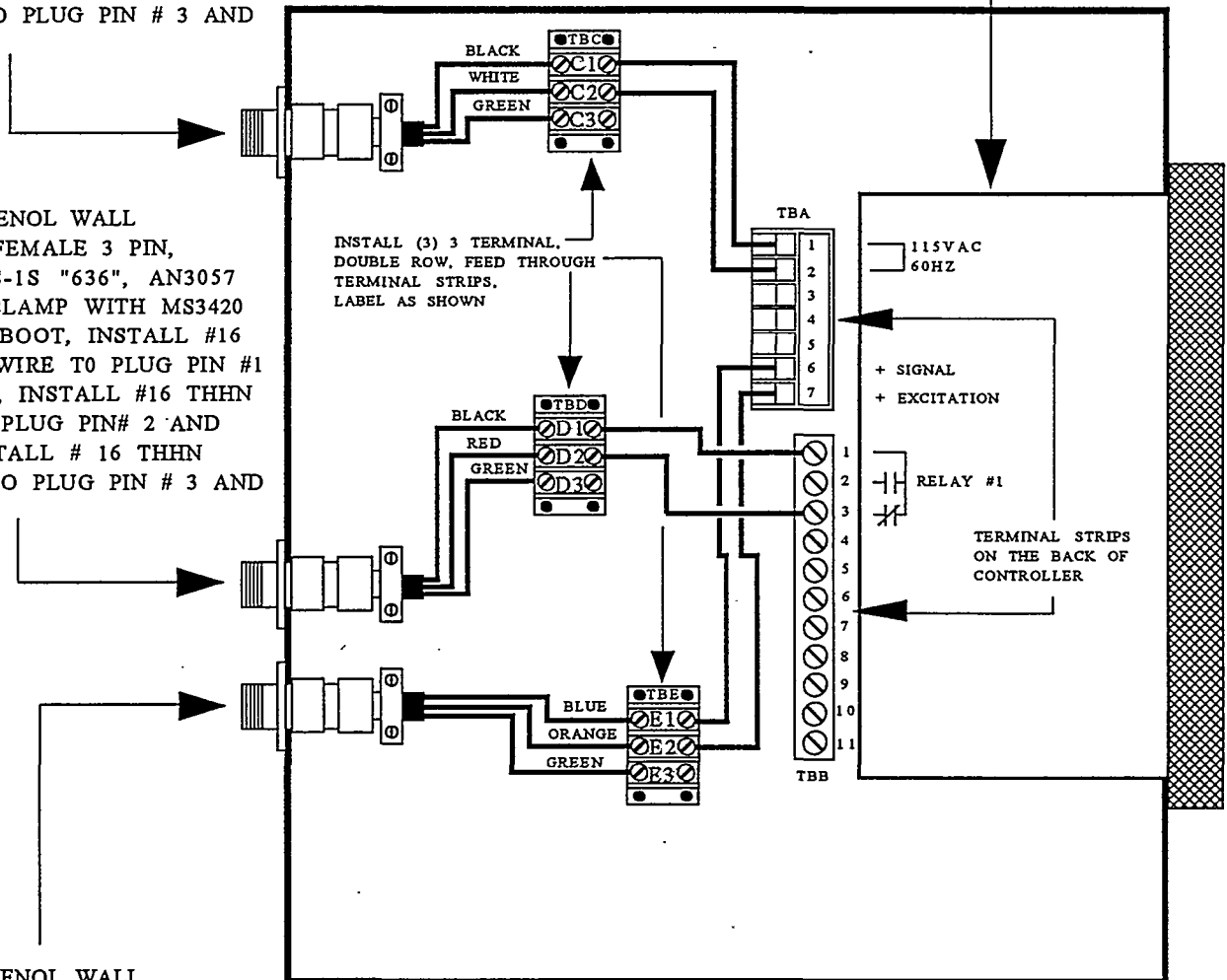
ALUMINUM DESK-TOP INSTRUMENT ENCLOSURE,
 8"X 12" X 18 3/4" WITH ADJUSTABLE
 HANDLE/TILTING BAR, ALLIED ELECTRONICS PART # 736Q7670

INSTALL AMPHENOL WALL
 RECEPTACLE, FEMALE 5 PIN,
 MS 3100A 14S-5S "636", AN3057
 "636" CABLE CLAMP WITH MS3420
 TELESCOPING BOOT, INSTALL #16
 THHN BLACK WIRE TO PLUG PIN #1
 AND TBC, #C1, INSTALL #16 THHN
 WHITE WIRE TO PLUG PIN# 2 AND
 TBC, #C2, INSTALL # 16 THHN
 GREEN WIRE TO PLUG PIN # 3 AND
 TBC, #C3

INSTALL AMPHENOL WALL
 RECEPTACLE, FEMALE 3 PIN,
 MS 3100A 14S-1S "636", AN3057
 "636" CABLE CLAMP WITH MS3420
 TELESCOPING BOOT, INSTALL #16
 THHN BLACK WIRE TO PLUG PIN #1
 AND TBD, #D1, INSTALL #16 THHN
 RED WIRE TO PLUG PIN# 2 AND
 TBD, #D2, INSTALL # 16 THHN
 GREEN WIRE TO PLUG PIN # 3 AND
 BD, #D3

INSTALL AMPHENOL WALL
 RECEPTACLE, FEMALE 4 PIN,
 MS 3100A 14S-2S "636", AN3057
 "636" CABLE CLAMP WITH MS3420
 TELESCOPING BOOT, INSTALL #16
 THHN BLUE WIRE TO PLUG PIN #1
 AND TBE, #E1, INSTALL #16 THHN
 ORANGE WIRE TO PLUG PIN# 2 AND
 TBE, #E2, INSTALL # 16 THHN
 GREEN WIRE TO PLUG PIN # 3 AND
 TBE, #E3

RED LION CONTROLS, MODEL
 IMP-20102 PROGRAMMABLE
 CONTROLLER MOUNTED ON
 DESK TOP ENCLOSURE FACE
 PLATE



MOTOR STARTER TR31-EL-MS4

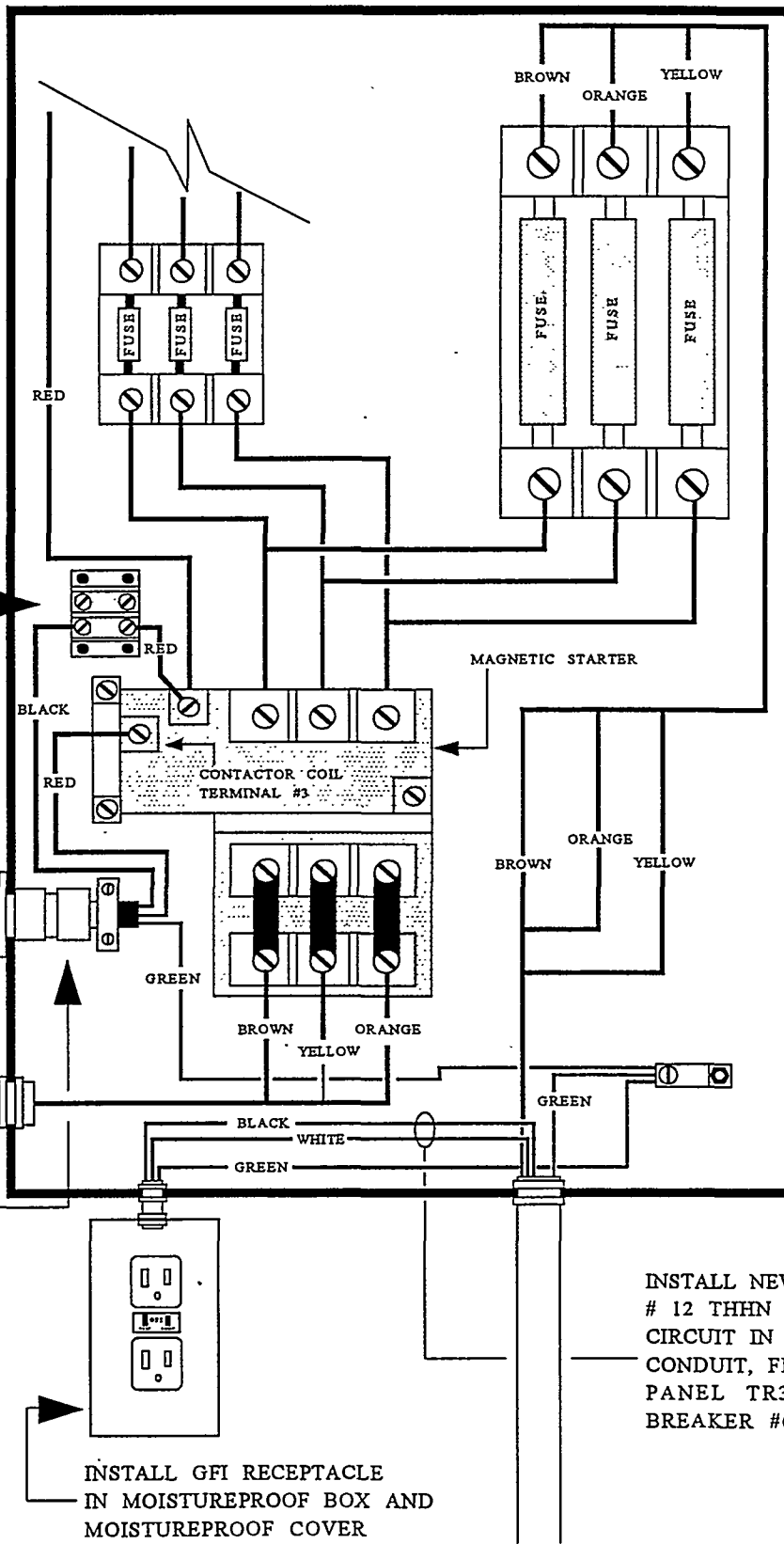
INSTALL 2 TERMINAL, DOUBLE ROW FEED-THROUGH, TERMINAL STRIP, LIFT CONTACTOR COIL WIRE LANDED ON COIL TERMINAL #3, RELAND ON RIGHT SIDE OF TERMINAL STRIP, INSTALL #16 THHN BLACK WIRE, LAND ONE END ON LEFT SIDE OF TERMINAL STRIP, OTHER ON PLUG PIN #1

INSTALL AMPHENOL WALL RECEPTACLE, FEMALE 3 PIN, MS 3100A 14S-1S "636", AN3057 "636" CABLE CLAMP WITH MS3420 TELESCOPING BOOT

AMPHENOL STRAIGHT PLUG MALE 3 PIN MS 3106A 14S-1P "636", AN3057 "636" CABLE CLAMP WITH WIRE JUMPER FROM PIN #1 TO PIN #2

POWER FEED TO LEACHATE STORAGE TANK TRANSFER PUMP MOTOR

RECEPTACLE WIRING: INSTALL # 16 THHN BLACK WIRE, LAND ONE END ON PLUG PIN #1, LAND OTHER END ON LEFT SIDE OF TERMINAL STRIP, INSTALL #16 THHN RED WIRE, LAND ONE END ON PLUG PIN #2, LAND OTHER END ON COIL TERMINAL #3, INSTALL #16 THHN GREEN WIRE, LAND ONE END ON PLUG PIN #3, LAND OTHER END ON GROUND TERMINAL



INSTALL NEW 2 WIRE # 12 THHN 120VAC CIRCUIT IN EXISTING CONDUIT, FEED FROM PANEL TR31-EL-PPA, BREAKER #6

INSTALL GFI RECEPTACLE IN MOISTUREPROOF BOX AND MOISTUREPROOF COVER