

Copyright information to be inserted by the Publishers

THEOREM ON MAGNET FRINGE FIELD*

JIE WEI

*Relativistic Heavy Ion Collider, Brookhaven National Laboratory,
Upton, New York 11979, USA*

RICHARD TALMAN

*Laboratory of Nuclear Studies, Cornell University,
Ithaca, New York 14853*

RECEIVED

MAR 19 1996

OSTI

Submitted to the proceedings of the LHC Single Particle Dynamics Workshop, Montreux, 1995.

Transverse particle motion in particle accelerators is governed almost totally by *non-solenoidal* magnets for which the body magnetic field can be expressed as a series expansion of the normal (b_n) and skew (a_n) multipoles,

$$B_y + iB_x = \sum_0^{\infty} (b_n + ia_n)(x + iy)^n, \quad (1)$$

where x , y , and z denote horizontal, vertical, and longitudinal (along the magnet) coordinates. Since the magnet length L is necessarily finite, deflections are actually proportional to "field integrals" such as $\bar{B}L \equiv \int B(x, y; z) dz$ where the integration range starts well before the magnet and ends well after it. For \bar{a}_n , \bar{b}_n , \bar{B}_x , and \bar{B}_y defined this way, the same expansion Eq. 1 is valid and the "standard" approximation is to neglect any deflections not described by this expansion, in spite of the fact that Maxwell's equations demand the presence of longitudinal field components at the magnet ends. The purpose of this note is to provide a semi-quantitative estimate of the importance of $|\Delta p_{\parallel}|$, the *transverse* deflection produced by the *longitudinal* component of the fringe field at one magnet end relative to $|\Delta p_0|$, the total deflection produced by passage through the whole magnet. To emphasize the generality and simplicity of the result it is given in the form of a theorem. The essence of the proof is an evaluation of the contribution of the longitudinal field B_x from the vicinity of one magnet end since, along a path parallel to the magnet axis such as path BC in Figure 2, there is no contribution to the longitudinal field integral either from well inside or well outside the magnet.

Theorem: *For any non-solenoidal magnet,*

$$\left\langle \frac{|\Delta p_{\parallel}|}{|\Delta p_0|} \right\rangle \approx \frac{\epsilon_{\perp}}{L} \sqrt{\frac{1 + 0.75\beta^2}{8}} \approx \frac{\epsilon_{\perp}}{L}, \quad (2)$$

*Work performed under the auspices of the U.S. Department of Energy.

where ϵ_{\perp} is the rms beam transverse emittance, $\beta' = d\beta/ds$, $\langle \rangle$ denotes the average over betatron phase, and the final approximation must be withdrawn if β' is anomalously large.

Proof: According to the principle of linear superposition, the fringe field at the end of the magnet can, in accordance with Eq. 1, be written as

$$\mathbf{B}_F = \sum_0^{\infty} (\mathbf{B}_{F_n} + \mathbf{A}_{F_n}), \quad (3)$$

where \mathbf{B}_{F_n} (or \mathbf{A}_{F_n}) is the fringe field that corresponds to b_n (or a_n).

As shown in Figures 1a and b, for any multipole b_n or a_n , there exists a closed curve C_1 extending from inside the body of the magnet to infinity without enclosing any electric current. The cross angle θ between the plane containing curve C_1 and the horizontal plane is chosen to be

$$\theta = \begin{cases} \frac{2k+1}{2(n+1)}\pi, & \text{for } a_n \\ \frac{k+1}{n+1}\pi, & \text{for } b_n, \end{cases} \quad (4)$$

where $0 \leq k < n$ is an integer, so that

$$\int_A^B \mathbf{B} \cdot d\mathbf{l} = 0. \quad (5)$$

Because the magnet field at infinity is equal to zero, one obtains from Ampere's law,

$$\int_D^A B_{F_n,z}(x=y=0; z) dz = \int_D^A A_{F_n,z}(x=y=0; z) dz = \int_D^A \mathbf{B} \cdot d\mathbf{l} = 0. \quad (6)$$

Hence,

$$\int_D^A B_z(x=y=0; z) dz = 0. \quad (7)$$

Suppose that the particle moves across the end of the magnet at a transverse displacement x_{\perp} , as shown by the trajectory BC in Figure 2. Using Eq. 7 and the closed curve of integration C_2 , we obtain

$$\int_B^C B_z(x_{\perp}) dz = - \int_A^B \mathbf{B}_{\perp}(x'_{\perp}) \cdot d\mathbf{x}'_{\perp}. \quad (8)$$

Hence, the transverse deflection Δp_{\parallel} produced by the longitudinal component of the fringe field is

$$|\Delta p_{\parallel}| = e \left| \int_B^C \mathbf{v}_{\perp} \times \mathbf{B}_z(x_{\perp}) dz \right| = e \left| v_{\perp} \int_A^B \mathbf{B}_{\perp}(x'_{\perp}) \cdot d\mathbf{x}'_{\perp} \right| \approx e |v_{\perp} x_{\perp} B_{\perp}(x_{\perp})|. \quad (9)$$

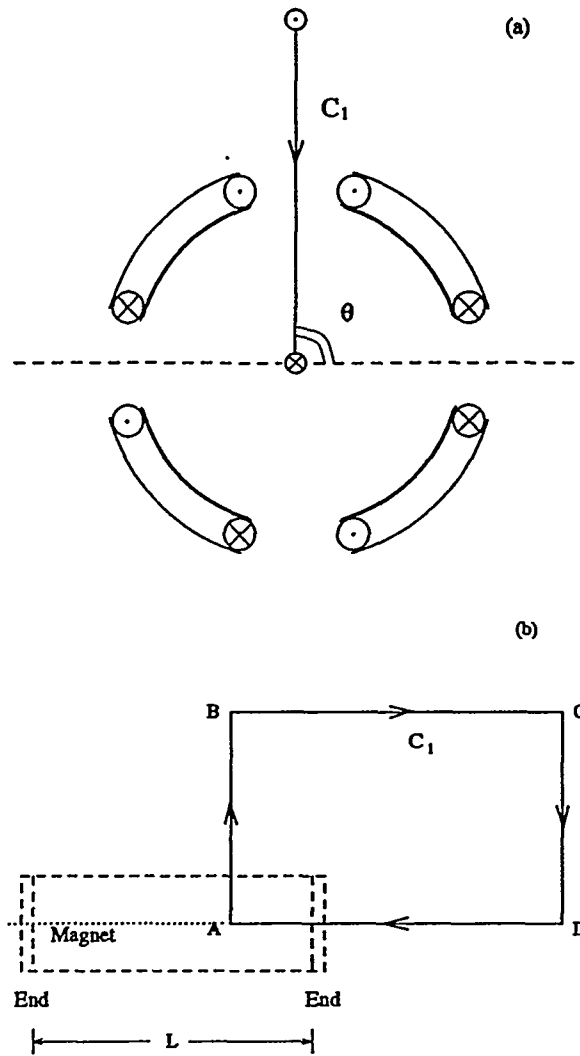


FIGURE 1: (a) Front and (b) side view of the closed curve C_1 of integration extending from inside the body of the magnet to infinity without enclosing any electric current.

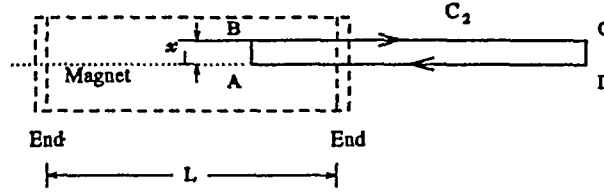


FIGURE 2: Side view of the closed curve C_2 for integration extending from inside the body of the magnet to infinity without enclosing any electric current.

The total deflection Δp_0 produced by the main magnet body is

$$|\Delta p_0| = e \left| \int_0^L v_z \times B_{\perp} dz \right|. \quad (10)$$

The factor $v_{\perp} x_{\perp}$ can be averaged as follows. By the standard “pseudo-harmonic” description of betatron motion, letting $S = \sin \psi$, $C = \cos \psi$,

$$x = \sqrt{\epsilon_{\perp} \beta} C, \quad x' = \sqrt{\frac{\epsilon_{\perp}}{\beta}} (S - C \frac{\beta'}{2}). \quad (11)$$

Using the results $\langle C^2 S^2 \rangle = 1/8$, $\langle C^4 \rangle = 3/8$, and $\langle C^3 S \rangle = 0$, one obtains

$$\sqrt{\langle x^2 x'^2 \rangle} = \epsilon_{\perp} \sqrt{\frac{1 + 0.75 \beta'^2}{8}}, \quad (12)$$

and the formula stated in the theorem follows.

Lemma 1. *If the transverse closed-orbit displacement Δ_{\perp} of the beam from the magnet center is much larger than the rms beam size $\sqrt{\beta_{\perp} \epsilon_{\perp}}$, the deflection produced by the longitudinal component of the fringe field at one magnet end is*

$$\left\langle \frac{|\Delta p_{\parallel}|}{|\Delta p_0|} \right\rangle \approx \frac{\Delta_{\perp}}{L} \sqrt{\frac{\epsilon_{\perp}}{\beta_{\perp}}} \sqrt{\frac{1 + 0.25 \beta'^2}{2}} \approx \frac{\Delta_{\perp}}{L} \sqrt{\frac{\epsilon_{\perp}}{\beta_{\perp}}}. \quad (13)$$

Lemma 2. *If the transverse displacement of the particle trajectory from the magnet center is the same at the two ends of the magnet, the sum of the deflection produced by the longitudinal component of the fringe field at the two ends is equal to zero.*

Since a typical transverse emittance is $\epsilon_{\perp} \approx 10^{-7}$ m and a typical magnet length is $L \approx 1$ m, it can be seen that $\langle |\Delta p_{\parallel}| / |\Delta p_0| \rangle$ is typically an extremely small number. This validates the “standard” approximation in essentially all situations in high energy accelerators.

The theorem by no means implies that fringe fields are unimportant. Especially in the intersection regions where the β -functions are large and rapidly varying, the deflections due to the transverse components of the fringe field can be significant. What the theorem shows is that the expansion of the fringe field in transverse multipoles—also “standard”—continues to be an excellent approximation even though that is not *a priori* obvious.

Another implication of the theorem is that $\langle |\Delta p_{\parallel}| / |\Delta p_0| \rangle$ is independent of the β -function at the magnet end, even though that may seem counter-intuitive. The reason for this is that x_{\perp} and v_{\perp} , the main factors in ϵ_{\perp} , depend inversely on the β -function.

Perhaps the “worst case” situation for the theorem occurs at the ends of a quadrupole adjacent to a low- β^* intersection point (IP). If β^* is the value of the β -function at the IP, and s is the distance from the IP to the quadrupole edge, one has $\beta' \approx 2s/\beta^*$ and the estimate provided by the theorem is

$$\left\langle \frac{|\Delta p_{\parallel}|}{|\Delta p_0|} \right\rangle \approx \frac{\epsilon_{\perp}}{L} \sqrt{\frac{3}{8}} \frac{s}{\beta^*}. \quad (14)$$

Some typical application: for RHIC, $s \approx 30$ m, $L \approx 3$ m, $\beta^* = 1$ m, $\epsilon_{\perp} \approx 10^{-7}$ m and the ratio yielded is about 6×10^{-7} ; for CESR, $s \approx 0.6$ m, $L \approx 0.6$ m, $\beta^* = 0.02$ m, $\epsilon_{\perp} \approx 2 \times 10^{-7}$ m and the ratio yielded is about 10^{-5} .

DISCLAIMER

This report was prepared as an account of work sponsored by an agency of the United States Government. Neither the United States Government nor any agency thereof, nor any of their employees, makes any warranty, express or implied, or assumes any legal liability or responsibility for the accuracy, completeness, or usefulness of any information, apparatus, product, or process disclosed, or represents that its use would not infringe privately owned rights. Reference herein to any specific commercial product, process, or service by trade name, trademark, manufacturer, or otherwise does not necessarily constitute or imply its endorsement, recommendation, or favoring by the United States Government or any agency thereof. The views and opinions of authors expressed herein do not necessarily state or reflect those of the United States Government or any agency thereof.