

RMIS View/Print Document Cover Sheet

This document was retrieved from the Documentation and Records Management (DRM) ISEARCH System. It is intended for Information only and may not be the most recent or updated version. Contact a Document Service Center (see Hanford Info for locations) if you need additional retrieval information.

Accession #: D196000397

Document #: SD-TD-CR-001

Title/Desc:

DESIGN CRITERIA FOR THE LDUA SYS END EFFECTORS

Pages: 44

ENGINEERING CHANGE NOTICE

Page 1 of 5

1. ECN 165799

Proj. ECN

2. ECN Category (mark one) Supplemental <input type="checkbox"/> Direct Revision <input checked="" type="checkbox"/> Change ECN <input type="checkbox"/> Temporary <input type="checkbox"/> Standby <input type="checkbox"/> Supersedure <input type="checkbox"/> Cancel/Void <input type="checkbox"/>	3. Originator's Name, Organization, MSIN, and Telephone No. G. R. Kiebel/Remote System and Sensor Applications/N1-21/376-4995		3a. USQ Required? <input type="checkbox"/> Yes <input checked="" type="checkbox"/> No	4. Date 11/30/95
	5. Project Title/No./Work Order No. Light Duty Utility Arm		6. Bldg./Sys./Fac. No. N/A	7. Approval Designator N/A
	8. Document Numbers Changed by this ECN (includes sheet no. and rev.) WHC-SD-TD-C-001, Rev. 0		9. Related ECN No(s). N/A	10. Related PO No. MRB-SXP-562953
11a. Modification Work <input type="checkbox"/> Yes (fill out Blk. 11b) <input checked="" type="checkbox"/> No (NA Blks. 11b, 11c, 11d)	11b. Work Package No. N/A	11c. Modification Work Complete N/A _____ Cog. Engineer Signature & Date	11d. Restored to Original Condition (Temp. or Standby ECN only) N/A _____ Cog. Engineer Signature & Date	
12. Description of Change This ECN incorporates revisions to the Light Duty Utility Arm End Effector Design Criteria.				
13a. Justification (mark one) Criteria Change <input checked="" type="checkbox"/> Design Improvement <input type="checkbox"/> Environmental <input type="checkbox"/> Facility Deactivation <input type="checkbox"/> As-Found <input type="checkbox"/> Facilitate Const <input type="checkbox"/> Const. Error/Omission <input type="checkbox"/> Design Error/Omission <input type="checkbox"/>				
13b. Justification Details This document is being revised to accurately reflect the design changes that have been made over the past 11 months via design review and to include additional information.				
14. Distribution (include name, MSIN, and no. of copies) B. A. Carteret N1-21 (1) D. S. Dutt N1-21 (1) G. R. Kiebel N1-21 (1) A. F. Pardini N1-21 (1) T. J. Samuel N1-21 (1) LDUA Project File N1-21 (10)			RELEASE STAMP DEC 18 1995 DATE: _____ STA: 22 HANFORD RELEASE ID: 43	

ENGINEERING CHANGE NOTICE

Page 2 of 5

1. ECN (use no. from pg. 1)

165799

15. Design Verification Required
 Yes
 No

ENGINEERING		CONSTRUCTION	
Additional	[] \$	Additional	[] \$
Savings	[] \$	Savings	[] \$

17. Schedule Impact (days)
 Improvement []
 Delay []

18. Change Impact Review: Indicate the related documents (other than the engineering documents identified on Side 1) that will be affected by the change described in Block 12. Enter the affected document number in Block 19.

SDD/DD	[]	Seismic/Stress Analysis	[]	Tank Calibration Manual	[]
Functional Design Criteria	[]	Stress/Design Report	[]	Health Physics Procedure	[]
Operating Specification	[]	Interface Control Drawing	[]	Spares Multiple Unit Listing	[]
Criticality Specification	[]	Calibration Procedure	[]	Test Procedures/Specification	[]
Conceptual Design Report	[]	Installation Procedure	[]	Component Index	[]
Equipment Spec.	[]	Maintenance Procedure	[]	ASME Coded Item	[]
Const. Spec.	[]	Engineering Procedure	[]	Human Factor Consideration	[]
Procurement Spec.	[]	Operating Instruction	[]	Computer Software	[]
Vendor Information	[]	Operating Procedure	[]	Electric Circuit Schedule	[]
OM Manual	[]	Operational Safety Requirement	[]	ICRS Procedure	[]
FSAR/SAR	[]	IEFD Drawing	[]	Process Control Manual/Plan	[]
Safety Equipment List	[]	Cell Arrangement Drawing	[]	Process Flow Chart	[]
Radiation Work Permit	[]	Essential Material Specification	[]	Purchase Requisition	[]
Environmental Impact Statement	[]	Fac. Proc. Semp. Schedule	[]	Tickler File	[]
Environmental Report	[]	Inspection Plan	[]		[]
Environmental Permit	[]	Inventory Adjustment Request	[]		[]

19. Other Affected Documents: (NOTE: Documents listed below will not be revised by this ECN.) Signatures below indicate that the signing organization has been notified of other affected documents listed below.

Document Number/Revision

Document Number/Revision

Document Number/Revision

N/A

20. Approvals

OPERATIONS AND ENGINEERING		Signature	Date	ARCHITECT-ENGINEER		Signature	Date
Cog. Eng.	A. F. Pardini	<i>A.F. Pardini</i>	11/30/95	PE			
Cog. Mgr.	D. S. Dutt	<i>D.S. Dutt</i>	11-30-95	QA			
QA		N/A		Safety			
Safety		N/A		Design			
Environ.				Environ.			
System Lead	B. A. Carteret	<i>B. A. Carteret</i>	11/30/95	Other			
Technical Lead	G. R. Kiebel	<i>G. R. Kiebel</i>	11/30/95				

DEPARTMENT OF ENERGY
 Signature or a Control Number that tracks the Approval Signature

ADDITIONAL

CHANGES BETWEEN REV. 0 AND REV. 1
OF
WHC-SD-TD-CR-001, "Design Criteria For
The Light Duty Utility Arm System End Effectors"

Abbreviations: Additions and deletions were made to this section to reflect changes made in other parts of the document.

Section 1.1: The nomenclature was changed from "LDUA integrated system" to "LDUA System." The reference to a specific revision of the LDUA functions and requirements document was deleted.

Section 1.2: The word "will" was changed to "shall", and the phrase "related end effector subsystems" was changed to "support equipment necessary to operate the end effector" to clarify requirements. Also, "Westinghouse Hanford Company" was added before the first use of the acronym "WHC". Other minor editorial changes were also made.

Section 1.3: Editorial changes were made in this section to reflect that fact that the names of sponsoring organizations wishing the Department of Energy have changed. Editorial changes were also made to clarify the general description of the mission of the LDUA.

Section 2.1: Editorial changes were made in this section to improve the grammar and to clarify the meaning. Also, the term "deployment vehicle" was changed to "mobile deployment system" in order to be more consistent with LDUA System nomenclature. The proper names of LDUA subsystems were capitalized.

Section 2.2: The general terminology "deployment vehicle" was changed to "Mobile Deployment System" to be more consistent with LDUA System nomenclature. Also, the erroneous description that the MDS could lower the arm into the tank was deleted - that function belongs to the Vertical Positioning Mast. A discussion of the outriggers was added.

Section 2.3: A sentence was added to this section to clarify the fact that the vertical positioning mast is provided with a housing that contains contamination. Editorial changes were made to clarify that the VPM can be included as an additional degree of freedom in LDUA resolved motion.

Section 2.4: The LDUA has no torque sensor in the shoulder - the erroneous statement that it does was deleted.

Section 2.5: Editorial changes were made to this section to improve the readability and clarity.

Section 2.6: Editorial changes were made in this section to improve the readability and to provide more detail about the TIP. Also a reference was added to the new end effector appendix.

Section 2.7: Editorial changes were made to this section to improve the readability and clarity.

Section 2.8: A new section was added which describes the At-Tank Instrument Enclosure.

Section 2.9: When a new section 2.8 was added, the original section 2.8 became section 2.9, and it was changed to apply to the Operations Control Trailer rather than the Operations Control Center. The section header was reworded to reflect the change. The section itself was reworded to improve clarity, and new words were added to explain that the Operations Control Trailer provides physical mounting and power for subsystem electronics.

Section 2.10: This is a new section that was added to provide a general description of end effectors.

Section 3.0: Many editorial changes were made to this section to improve the readability and to correct some parts of the operating scenario that have changed since the previous version of the document. Also, subsection headers were added to separate the section into setup, operations, and takedown activities.

Section 4.0: A reference was added to the fact that some parts of the end effector support equipment may be located in the At-Tank Instrument Enclosure (ATIE). Other minor editorial changes were made to improve the readability.

Section 4.1: A reference to Tables 1 and 2 was added to this section to clarify that that is where the detailed requirements are to be found.

Section 4.1.1: The section header was changed to make it more self-explanatory.

Section 4.1.2: The section header was changed to be only a table header, and the title was changed to make it more self-explanatory.

Section 4.2.1: This section was reworded to clarify that the safety factors for yield and ultimate strength were to be chosen to provide the most conservative design.

Section 4.2.3: Editorial changes were made to be more consistent in terminology for LDUA deployed and independently deployed end effectors. A reference was added to Appendix A as the source of exact end effector to TIP mechanical interface dimensions.

Section 4.2.4: An editorial change was made in this section to clarify under what conditions the end effector weight should be limited to 50 pounds. A sentence was added explaining that the Tool Interface Plate has features for lifting and carrying end effectors. A reference to the new TIP appendix was also added. Wording was changed for the sake of more consistent terminology in referring to LDUA deployed end effectors

Section 4.2.5: The title of this section was changed from "End Effector Riser Loading" to "End Effector Riser Interface". Requirements were added that addressed the additional requirements for riser interfaces beyond the weight loading limits.

Section 4.2.12: The nominal flow rate for decon water supply was added to this section.

Section 4.3.1: A reference to Appendix B was added to this section with an explanation that it contained further requirements for the purge system.

Section 4.3.3: This section was expanded to apply to outdoor electrical cables as well as electrical enclosures. The section header was changed accordingly.

Section 4.3.3: This section was expanded to provide guidelines for how end effector support equipment was expected to integrate with the LDUA System.

Section 4.3.5: The table listing the TIP utilities was deleted from this section and moved to the new Appendix that describes the details of the TIP. The introductory paragraph was reworded to provide a general description of the utilities and a reference to the new Appendix.

Section 4.3.6: This section was deleted because it was mostly redundant to section 2.6 and because it did not belong in the electrical section.

Section 4.3.6: A new section added to describe the Fiber Optic Umbilical Cable (re-using the section number from the original 4.3.6 which was deleted).

Section 4.3.7: This section was added. It describes criteria for interfacing the end effector and its support equipment to the Supervisory Data Acquisition System (SDAS).

Section 4.4: A sentence was added to explain that IEEE software engineering standards were an acceptable (with WHC approval) alternative to the ones required by the LDUA software development plan.

Section 5.2: The Hanford welding standard for structural stainless steel was added to this section. A note was also added explaining that other standards for welding structural stainless steel might be acceptable with written approval by WHC.

Appendix A: This appendix was added to provide details about the Tool Interface Plate (TIP)

Appendix B: This appendix was added to provide details of the LDUA purge system and how an end effector is expected to integrate with it.

Design Criteria for the Light Duty Utility Arm System End Effectors

A. F. Pardini
G. R. Kiebel

Westinghouse Hanford Company, Richland, WA 99352
U.S. Department of Energy Contract DE-AC06-87RL10930

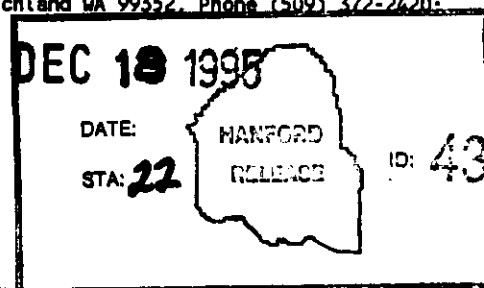
EDT/ECN: 165799 UC: 2060
Org Code: 8A800 Charge Code: H1E02
B&R Code: EW4010000 Total Pages: 36-37 ^{SCP} 12/18/95

Key Words: Design Criteria, Light Duty Utility Arm (LDUA), End Effectors

Abstract: The purpose of this document is to provide criteria for the design of end effectors that will be used as part of the Light Duty Utility Arm (LDUA) System. Actual component design, fabrication, testing, and inspection will be performed by various DOE laboratories, industry, and academia. This document augments WHC-SD-TD-FRD-003, "Functions and Requirements for the Light Duty Utility Arm Integrated System" (F&R). All requirements dictated in the F&R shall also be applicable in this document. Whenever conflicts arise between this document and the F&R, this document shall take precedence.

TRADEMARK DISCLAIMER. Reference herein to any specific commercial product, process, or service by trade name, trademark, manufacturer, or otherwise, does not necessarily constitute or imply its endorsement, recommendation, or favoring by the United States Government or any agency thereof or its contractors or subcontractors.

Printed in the United States of America. To obtain copies of this document, contact: WHC/BCS Document Control Services, P.O. Box 1970, Mailstop H6-08, Richland WA 99352. Phone (509) 372-2420. Fax (509) 376-4989.



A. C. Perkins
Release Approval

12/18/95
Date

Release Stamp

Approved for Public Release

RECORD OF REVISION

(1) Document Number
WHC-SD-TD-CR-001

(2) Title
Design Criteria for the Light Duty Utility Arm System End Effectors

CHANGE CONTROL RECORD

(3) Revision	(4) Description of Change - Replace, Add, and Delete Pages (7)	Authorized for Release		
		(5) Cog. Engr.	(6) Cog. Mgr.	Date
RS 1	Total revision of WHC-SD-TD-CR-001 per ECN 165799	AF Pardini GR Kiebel	DS Dutt	12-11-85

DESIGN CRITERIA FOR THE LIGHT DUTY
UTILITY ARM SYSTEM END EFFECTORS

TABLE OF CONTENTS

1.0	INTRODUCTION	1
1.1	PURPOSE	1
1.2	SCOPE	1
1.3	BACKGROUND	1
2.0	LDUA SYSTEM DESCRIPTION	2
2.1	OVERALL DESCRIPTION	2
2.2	MOBILE DEPLOYMENT SYSTEM	3
2.3	VERTICAL POSITIONING MAST	3
2.4	LIGHT DUTY UTILITY ARM	3
2.5	TANK RISER INTERFACE AND CONFINEMENT	3
2.6	TOOL INTERFACE PLATE	4
2.7	CONTROL AND DATA ACQUISITION SYSTEM	4
2.8	AT-TANK INSTRUMENT ENCLOSURE (ATIE)	5
2.9	OPERATIONS CONTROL	5
2.10	END EFFECTORS	5
3.0	LDUA OPERATING SCENARIO	5
3.1	LDUA SETUP	5
3.2	LDUA OPERATIONS	6
3.3	LDUA TAKEDOWN	7
4.0	END EFFECTOR DESIGN CRITERIA	7
4.1	ENVIRONMENTAL DESIGN CRITERIA	7
4.1.1	TABLE 1 - In-Tank Environmental Conditions	7
4.1.2	TABLE 2 - External (Out of Tank) Environmental Conditions	8
4.1.3	Storage	9
4.2	MECHANICAL DESIGN CRITERIA	9
4.2.1	Safety Factors	9
4.2.2	Material	9
4.2.3	Dimensions of End Effectors	9
4.2.4	End Effector Weight Limits	9
4.2.5	End Effector Riser Interface	10
4.2.6	End Effector Design Life	10
4.2.7	Servicing	10
4.2.8	Contamination Control	10
4.2.9	Maintenance	10
4.2.10	Lubricants	11
4.2.11	Actuation	11
4.2.12	Decontamination	11
4.3	ELECTRICAL DESIGN CRITERIA	11
4.3.1	Electrical Design	11
4.3.2	Electrical Enclosures and Cables	11
4.3.3	Electrical Equipment and Wiring	12
4.3.4	Power Loss	12
4.3.5	Available TIP Utilities	13
4.3.6	Fiber Optic Umbilical Cable	13

4.3.7	Supervisory Data Acquisition System Interface	13
4.4	SOFTWARE DESIGN CRITERIA	14
5.0	APPLICABLE CODES AND STANDARDS	14
5.1	MATERIALS	14
5.2	ELECTRONICS AND COMMUNICATION	15
5.3	ELECTRICAL	15
5.4	FIRE PROTECTION	15
5.5	SAFETY	15
5.6	SOFTWARE	15
5.7	DESIGN	16
5.8	MACHINING	16
5.9	WELDING	16
6.0	SAFETY	16
7.0	QUALITY ASSURANCE	16
8.0	REFERENCES	17
	APPENDIX A: TOOL INTERFACE PLATE DETAILS	18
	APPENDIX B: LDUA PURGE SYSTEM DETAILS	30

ABBREVIATIONS

ASME	AMERICAN SOCIETY OF MECHANICAL ENGINEERS
ATIE	AT-TANK INSTRUMENT ENCLOSURE
DOE	DEPARTMENT OF ENERGY
EE	END EFFECTOR
EEES	END EFFECTOR EXCHANGE SYSTEM
FO	FIBER OPTIC
I/O	INPUT/OUTPUT
LDUA	LIGHT DUTY UTILITY ARM
MDS	MOBILE DEPLOYMENT SYSTEM
MUX	MULTIPLEXOR
OCT	OPERATIONS CONTROL TRAILER
QAPP	QUALITY ASSURANCE PROGRAM PLAN
SCS	SUPERVISORY CONTROL SYSTEM
SDAS	SUPERVISORY DATA ACQUISITION SYSTEM
TFA	TANK FOCUS AREA
TIP	TOOL INTERFACE PLATE
TCP/IP	TRANSMISSION CONTROL PROTOCOL/INTERNET PROTOCOL
TRIC	TANK RISER INTERFACE AND CONFINEMENT
VAC	VOLTS, ALTERNATING CURRENT
VME	VERSA MODULE EUROCARD
VPM	VERTICAL POSITIONING MAST
WHC	WESTINGHOUSE HANFORD COMPANY

ST is a trademark of AT&T

OPTOMUX is a trademark of OPTO22 Corp.

Labview is a trademark of National Instruments Corp.

SPARCSTATION is a trademark of Sun Microsystems, Inc.

Solaris is a trademark of Sunsoft Inc.

Hypertronics is a trademark of Hypertronics Corp.

Teflon is a trademark of E.I. duPont de Nemours & Co.

Parker-Hannifin coupling is a trademark of Parker-Hannifin Co.

**DESIGN CRITERIA FOR THE LIGHT DUTY
UTILITY ARM SYSTEM END EFFECTORS**

1.0 INTRODUCTION

1.1 PURPOSE

The purpose of this document is to provide criteria for the design of end effectors that will be used as part of the Light Duty Utility Arm (LDUA) System. Actual component design, fabrication, testing, and inspection will be performed by various DOE laboratories, industry, and academia. This document augments WHC-SD-TD-FRD-003, "Functions and Requirements for the Light Duty Utility Arm Integrated System" (F&R). All requirements dictated in the F&R shall also be applicable in this document. Whenever conflicts arise between this document and the F&R, this document shall take precedence.

1.2 SCOPE

The criteria specified in this document shall apply to all end effector systems being developed for use on or with the LDUA System at the Hanford site. This includes end effectors attached directly to the LDUA, independently deployed end effectors, and all support equipment necessary to operate the end effector. This document shall serve as a basis document for the mechanical, electrical, environmental, and safety aspects of end effector design. The requirements stipulated in this document are mandatory. Any deviations from the requirements shall be handled on a case by case basis and formally documented in accordance with Westinghouse Hanford Company (WHC) engineering practices. End effectors that are being specifically developed for use at other DOE sites shall have separate functions and requirements that may lessen the requirements of this document that are not applicable, such as radiation or environmental requirements.

1.3 BACKGROUND

The United States Department of Energy (DOE) created the Office of Science and Technology (OST) to assist in the environmental restoration of waste sites across the DOE complex. To complete this task, major development efforts were initiated. One such effort is the Tanks Focus Area (TFA). This program is concentrating on the remediation of waste tanks, and is funding the development of a Light Duty Utility Arm system.

The LDUA System will be used primarily to deploy surveillance, inspection, and analysis end effectors into single shell waste storage tanks. The types of end effectors to be deployed include temperature and moisture sensors, chemical speciation probes, viewing systems, topographical mapping systems, waste sampling tools, and small scale retrieval tools. End effectors will be developed by DOE laboratories, industry, and academia.

2.0 LDUA SYSTEM DESCRIPTION

2.1 OVERALL DESCRIPTION

The LDUA System consists of the Mobile Deployment System (MDS), the Vertical Positioning Mast (VPM), the Light Duty Utility Arm (LDUA) (with Tool Interface Plate), the Tank Riser Interface and Confinement (TRIC) System, the control and data acquisition system, the Operations Control Trailer (OCT), a complement of end effectors, and miscellaneous ancillary equipment. An illustration of the overall system is shown in Figure 1.

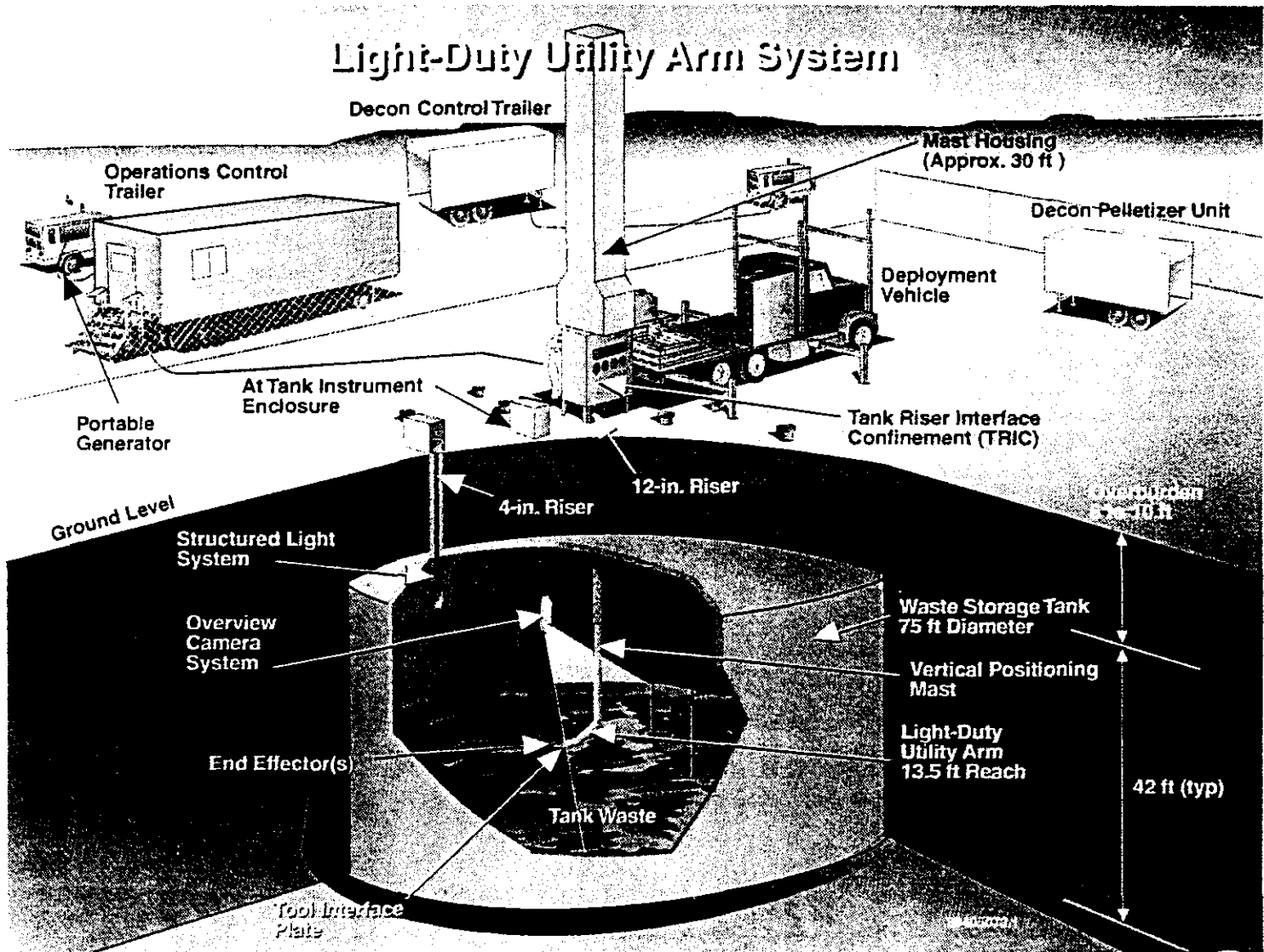


Figure 1 Light Duty Utility Arm System

2.2 MOBILE DEPLOYMENT SYSTEM

The Mobile Deployment System (MDS) is a motorized vehicle that transports the LDUA assembly to the various waste tanks for deployment. It has the capability to 1) transport the LDUA system to the tank location, 2) extend outriggers, 3) upend the LDUA and Vertical Positioning Mast (VPM), and 4) position the VPM housing over the tank riser. Deployment operations 3 and 4 can be performed using the control pendant attached to the MDS.

2.3 VERTICAL POSITIONING MAST

The Vertical Positioning Mast (VPM) provides the gross vertical positioning of the LDUA within the waste tank. It may be operated independently from the LDUA, or may be coordinated with the LDUA as an additional degree of freedom in LDUA resolved motion. It will have infinite speed control from zero up to a maximum velocity of between 15 feet per minute and 20 feet per minute. The VPM is contained in a housing that maintains a contamination control boundary during transport and deployment.

2.4 LIGHT DUTY UTILITY ARM

The LDUA is a robotic manipulator that positions and orients the end effector within its working envelope. The LDUA has seven degrees of freedom that provide dexterity to reach beyond obstructions. The working envelope of the LDUA extends out to 9 feet from the centerline of the VPM. It has a maximum reach from the shoulder pitch joint to the end effector of 13.5 feet when fully extended. The operator may control the LDUA in either joint mode or cartesian mode (resolved motion) using infinitely variable speed control to allow precise placement of end effectors during operation. The LDUA is designed to carry a nominal payload of 50 pounds and a maximum payload of 75 pounds. The center of gravity of the payload may not cause the moment at the mating surface of the Tool Interface Plate to exceed 1000 inch-pounds nor cause the moment about the wrist roll axis to exceed 150 in-pounds. At nominal payload, the LDUA has a maximum positioning error of plus or minus 0.5 inches and a repeatability of 0.2 inches or better. The position sensors in the LDUA provide a resolution of 0.05 inches or better. A six axis force/torque sensor is provided in the LDUA's wrist joint. The control system is designed to compensate for static deflection of the VPM under load in order to minimize the end-to-end error of the system.

2.5 TANK RISER INTERFACE AND CONFINEMENT

The Tank Riser Interface and Confinement (TRIC) provides an interface between the LDUA system and the waste tank riser. It is used for change-out of end effectors, minor maintenance tasks, and containment of the tank atmosphere. A decontamination system is included for the gross decontamination of the VPM, LDUA, and deployed end effectors to levels acceptable for on-site transportation of the LDUA System.

2.6 TOOL INTERFACE PLATE

The Tool Interface Plate (TIP) provides a standardized mounting mechanism common to each of the end effectors that are carried on the LDUA. It consists of two plates, with the master plate located on the wrist of the LDUA, and a slave plate located on each end effector. A seal is provided near the outside diameter of the TIP to seal the interface joint between the plates against the tank atmosphere and contents. The TIP has a set of guide pins that assure proper alignment of the two halves and there are three latches that lock the TIP halves together. The latching mechanisms are each secured by rotating a locking cam one-half turn (using a tool with a standard socket drive). All of the utilities required for end effector operation are routed within the sealed diameter of the TIP. The utilities include common electrical power, instrumentation and control, and fluid (gas and liquid) lines. The TIP master and slave plates are designed and fabricated by the LDUA developer. A TIP slave plate for each end effector will be furnished by WHC to the end effector provider. Details of the TIP are provided in Appendix A

2.7 CONTROL AND DATA ACQUISITION SYSTEM

The LDUA control and data acquisition system has a supervisory level and a subsystem level. The subsystem level is concerned with the basic operation of the LDUA subsystems. Each subsystem has its own controller that can support all the fundamental operations of the subsystem. This controller can be simple or sophisticated, depending on the nature of the subsystem. The supervisory level is concerned with centralization of control and data acquisition functions and with coordinated operation between subsystems. Supervisory operations are all conducted from the Operations and Control Trailer (OCT). End effector subsystems and the TRIC are interfaced with the Supervisory Data Acquisition System (SDAS). The LDUA Subsystem Controller is interfaced with the Supervisory Control System (SCS).

The LDUA Subsystem Controller provides the LDUA Console in the OCT for operator control of the LDUA, VPM, and MDS. The Supervisory Control Subsystem provides a 3D graphic display for monitoring LDUA and VPM motion. This display allows all motion of the LDUA and VPM to be previewed against a model of operating environment that defines safe operating areas. LDUA and VPM motion is checked for collisions. If the previewed motion is collision-free, the operator may command the motion to execute.

The Supervisory Data Acquisition Subsystem is able to acquire, process, display, and store data from the end effector subsystem controllers and can tag this stored information with information such as the identity of the operator, identity of the tank and riser of deployment, and position of the LDUA when it was taken.

The Supervisory Data Acquisition Subsystem also provides a means of displaying and recording video information from the end effectors and observational video cameras. The capability to overlay titles and other selected information onto the video is also provided.

Since several end effectors share a single set of TIP utilities, a means is provided to manually switch the TIP utilities to the appropriate at-tank

support electronics to match the end effector mounted on the TIP.

2.8 AT-TANK INSTRUMENT ENCLOSURE (ATIE)

The At-Tank Instrument Enclosure houses end effector support electronics that must be near the end effector (the ATIE is located within 50 feet of the MDS). This enclosure is weather tight with heating and cooling to maintain internal temperature between 50 and 95 degrees fahrenheit during operation. Standard Electronic Industrial Association (EIA) 19-inch racks are provided for mounting of end effector support equipment. Standard 110 VAC power is provided for equipment.

2.9 OPERATIONS CONTROL TRAILER

The Operations Control Trailer (OCT) is the command center for the LDUA system. It houses both the equipment and personnel to remotely operate the LDUA System. The OCT will be located outside the tank farm perimeter fence in a non-contaminated area and it can be up to 900 feet away from the LDUA. Standard Electronic Industrial Association (EIA) 19-inch racks are provided for mounting of end effector support equipment. Standard 110 VAC power is provided for equipment. Fiber Optic (FO) Umbilical Cables connect the Operations Control Trailer to the At-Tank Instrument Enclosure.

2.10 END EFFECTORS

End effectors are the tools that accomplish the specific in-tank tasks that the LDUA System performs. There are two types of end effectors, LDUA deployed end effectors and independently deployed end effectors. LDUA deployed end effectors are TIP mounted on the end of the LDUA. Independently deployed end effectors enter the tank through other risers (usually 4 inch risers) and provide their own riser interface equipment. The criteria in this document are assumed to apply to both types of end effector unless specifically noted.

3.0 LDUA OPERATING SCENARIO

3.1 LDUA SETUP

When a tank has been identified for inspection, plug gages will be used to verify that the risers chosen for deployment are adequately plumb and have adequate internal clearance for the LDUA deployed and independently deployed end effectors.

Following successful riser gaging, the major equipment systems of the LDUA System will be transported to the tank farm and set up. The Operations Control Trailer (OCT) will be placed outside the tank farm fence. The At-Tank Instrument Enclosure (ATIE) will be placed in the vicinity of the riser chosen for LDUA deployment. The Fiber Optic (FO) Umbilical Cable will be connected between the ATIE and the OCT. The Power Distribution Skid will be placed inside the tank farm near the other equipment and power cables will be connected between it and the main source of 480 VAC (either a portable generator or a temporary substation). Power cables will also be connected

between the Power Distribution Skid and the ATIE, and between the OCT and the main power source.

Independently deployed end effector systems will be attached to the risers (typically 4 inch) chosen for their deployment. These systems will have their own riser interface and environmental containment and any necessary local support electronics. They will be connected to the ATIE and will be operated from the OCT.

The Tank Riser Interface and Confinement (TRIC) subsystem will be attached to the riser chosen for deployment of the LDUA. It's decontamination module will be connected to the Decon Water Supply System.

The LDUA system will be transported to the tank using the Mobile Deployment System (MDS). The MDS will be positioned near the TRIC, and will be connected to the Power Distribution Skid so that its hydraulics can be powered up. The MDS outriggers will be extended and locked to provide a firm base for LDUA deployment. The control pendant attached to the MDS will be used to upend, position, and align the Vertical Positioning Mast (VPM) housing to mate with the TRIC. A contamination control boundary will be established between the TRIC and the VPM housing using a flexible seal. The tank pressure sense line for the purge system will be connected between the TRIC and the MDS. With the mating to the TRIC complete, the MDS umbilical will be connected to the ATIE and full control will be transferred to the LDUA Console and Supervisory Control System (SCS) inside the OCT. An optical alignment end effector will be used to finalize the position of the VPM housing to insure that the VPM and LDUA are accurately aligned with the riser to provide a clear path for entering the tank.

3.2 LDUA OPERATIONS

To initiate a surveillance, inspection, or characterization campaign, an end-effector will be selected for the desired operation. The installation of the end effector to the LDUA will be accomplished within the TRIC, utilizing a tool change-out mechanism to assist the operator in positioning the end effector and attaching it to the LDUA. Following end effector attachment, the VPM, LDUA, and end effector will be lowered through the TRIC and the decontamination system and into the tank through the tank riser. These operations will usually be performed using the supervisory controller; however, the MDS control pendant can provide simple operation of LDUA and VPM for recovery or maintenance activities.

Operation of the LDUA and end effectors inside the waste tank will normally be performed from the Operations Control Trailer using supervisory control (automated sequences) or by tele-operation (human in the loop) using graphic computer displays to monitor and control the equipment, and on-board and overview cameras to provide direct visual feedback to the operator. After lowering the VPM to the desired elevation in the tank, the LDUA will position end effectors to perform their in-tank functions. End effectors will normally be operated from the Operations Control Trailer using the Supervisory Data Acquisition System, which will also collect the data they generate. It is anticipated that the system will operate at the tank for approximately one to two weeks. During this period, multiple end effector change-outs may be performed without removing the VPM housing from the TRIC. Gross

decontamination of the VPM, LDUA and end effectors will take place during these exchanges as the VPM is withdrawn through the decontamination module. It is expected that the LDUA and VPM will be retracted into the VPM housing during the off shift and will be moved to the area of lowest radiation level inside tank when not busy.

3.3 LDUA TAKEDOWN

When in-tank operations have been completed, the end effector will be dismantled from the LDUA and the VPM and LDUA will be retracted into the VPM housing. The VPM housing will be sealed to contain any residual contamination on the VPM and LDUA before it is detached from the TRIC. The VPM housing will then be lowered to the horizontal position on the MDS for storage and transport. The independently deployed end effector systems will be recovered from the tank and their equipment secured for transport. The TRIC will be removed from the riser and the riser will be closed. The umbilical and power cables between the Power Distribution Skid, the ATIE and the OCT will be disconnected and recovered, and the ATIE and OCT made ready for transport.

4.0 END EFFECTOR DESIGN CRITERIA

Complete end effector systems shall be provided that include the in-tank head assembly, umbilical cabling, at-tank instruments and enclosures, control and display electronics, and operating and display software. Components of these systems will be located in various areas including in-tank, above ground (outside), in the ATIE, and in the OCT.

4.1 ENVIRONMENTAL DESIGN CRITERIA

End effector systems shall be capable of normal operation in the environmental conditions given in Tables 1 and 2:

4.1.1 TABLE 1 - In-Tank Environmental Conditions

CONDITION	DESIGN CRITERIA
Ambient Temperature	Normal operation in a temperature range from +50 degrees Fahrenheit to +150 degrees Fahrenheit.
Relative Humidity	Normal operation in a humidity range from 10% to 100%.
Pressure	Normal operation within a pressure range of ± 7 inches of water.
Dust	Normal operation within an environment that may contain abrasive dust in the tank vapor space.
Chemical	Normal operation in a chemical environment that varies from that of concentrated nitric acid fumes to waste material whose pH approaches 14.

Vapors	Tanks may contain an explosive atmosphere and will require design to section 4.3.1 of this document.
Radiation	Normal operation in a radiation field of 2000 rad/hour, for equipment that operates in close proximity (< 3 feet) to the waste surface; or in a radiation field of 1000 rad/hour, for equipment that operates in the vapor space (> 3 feet) above the waste surface. Equipment must be capable of operating properly, without significant degradation in performance, until a minimum accumulated dose of 1×10^8 is attained. For equipment with an inherently low tolerance for radiation, a minimum accumulated dose of 1×10^6 may be acceptable, if change-out of the equipment is sufficiently easy. Radiation cumulative dose requirements may be met by periodic modular replacement of radiation susceptible components.

4.1.2 TABLE 2 - External (Out of Tank) Environmental Conditions

CONDITION	DESIGN CRITERIA
Ambient Temperature	Normal operation in a temperature range from -20 degrees Fahrenheit to +120 degrees Fahrenheit and shall tolerate additional heat loads resulting from operation in direct sunlight.
Relative Humidity	Normal operation in a humidity range from 4% to 100%.
Wind	Normal operation in wind speeds of up to 40 miles per hour. In addition, the end effector systems shall be able to withstand, without damage, wind speeds up to 80 miles per hour.
Moisture	Normal operation in external rain environments with rainfalls at the rate of up to 2 inches per hour and snow environments with snowfall accumulations of up to 2 feet.
Dust	Normal operation in an environment which has periodic severe dust storms.
Topography	All tank farm equipment must be able to operate (or be leveled to operate) on terraces with slopes up to 10% and berms or curbs up to 6 inches high.

4.1.3 Storage

All end effector systems shall be designed to allow for storage in outdoor containers with internal temperatures ranging from -20 F to +150 F.

4.2 MECHANICAL DESIGN CRITERIA

4.2.1 Safety Factors

All load-bearing components shall be designed with a five-to-one safety factor for lifting points over the ultimate strength (breaking strength). All other load bearing components shall be designed with a two-to-one safety factor over the ultimate strength (breaking strength) or one and one half-to-one safety factor over the yield strength, whichever is more conservative.

4.2.2 Material

All structural materials shall be in accordance with ASTM or ASME standards. In-tank components shall be constructed of materials resistant to the tank environment and qualified as spark resistant as much as practical to minimize the use of coatings. Suggested materials include, but are not restricted to, austenitic stainless steel or titanium alloys that have been stress relieved.

4.2.3 Dimensions of End Effectors

Independently deployed end effectors are restricted in diameter according to the riser being used. For 4 inch risers, the end effector shall fit within a cylindrical envelope no larger in diameter than 3.5 inches. For 12 inch risers, the end effector shall fit within a cylindrical envelope no larger in diameter than 10.5 inches.

LDUA deployed end effectors shall fit within a cylindrical envelope no larger in diameter than 10.5 inches and no longer than 30 inches inclusive of the end effector portion of the TIP (refer to Appendix A for exact dimensions of the end effector to TIP mechanical interface).

End effectors shall be designed with smooth contours, chamfers, or lead-ins so that they will not easily become hung up on riser bottoms and other in-tank components.

4.2.4 End Effector Weight Limits

LDUA deployed end effectors shall not weigh more than 75 pounds, including the end effector portion of the TIP. This portion of the TIP shall be considered to weigh 15 pounds for initial design purposes. Weight distribution of end effectors shall be configured to limit the moment that is applied to the mating surface between the end effector half and the LDUA half of the TIP to 1000 inch-pounds. In addition, the moment about the wrist roll axis shall not exceed 150 inch-pounds. For applications where it is critical to attain the repeatability and resolution requirements described in section 2.4, the end effector shall not exceed the nominal payload of 50 pounds (including the end effector portion of the TIP). There is no weight restrictions on independently deployed end effectors with the exception of

riser loading requirements in section 4.2.5.

All end effectors shall be designed for easy lifting depending on their weight. End effectors weighing more than the limit for person lifting shall be supplied with lifting fixtures for mechanical lifting. The Tool Interface Plate has three indentations for engaging the End Effector Exchange System. These may also be used for lifting and carrying the end effector when it is not in the process of being mounted onto or dismounted from the LDUA.

4.2.5 End Effector Riser Interface

Independently deployed end effectors shall provide equipment to interface the end effector to the riser. This riser interface equipment shall include provisions to mechanically attach to the riser flange, to maintain containment of the tank atmosphere, to maintain containment of contamination (while deployed and when in transport or storage). End Effector deployment systems shall not exceed the applicable riser load limits. The loading limit for 4 inch risers is 500 pounds maximum. The loading limit for 12 inch risers is 3000 pounds maximum. These are axial loads with a load application point that is not more than 8 feet above the riser flange, or offset from the center line more than 6 inches.

4.2.6 End Effector Design Life

All end effectors shall be designed to have a usable lifetime of 5 years. The mean time between failure shall be no less than 6 months under continuous operation or until total allowable radiation dose limit is reached as described in section 4.1.1. The mean time of repair shall not exceed 24 hours for any component failure or malfunction.

4.2.7 Servicing

End effectors shall be designed to minimize scheduled preventative maintenance. Components shall be selected or substituted where possible to reduce maintenance and increase mean time between failure. End effectors shall be designed without sharp edges, or projections which could cause injury to maintenance personnel.

4.2.8 Contamination Control

End effectors shall be designed and fabricated to facilitate the cleaning of contaminated surfaces. Design shall incorporate smooth surfaces and sealed segments for ease in decontamination.

4.2.9 Maintenance

End effectors shall be designed so the components that are most likely to fail are readily accessible and easily replaced as a unit or as a subassembly. End effectors shall be modular in design to facilitate fast repair cycles by personnel working in anti-contamination clothing.

4.2.10 Lubricants

Nonvolatile, radiation resistant lubricants shall be used for in-tank components. Lubricants must be contained so that the lubricants can not leak into the tank environment.

4.2.11 Actuation

End effectors may use either electric or pneumatic actuation. The waste tank environment severely restricts the addition of organic compounds during operation and all possible failure modes. Actuation by hydraulics is discouraged, however if provisions are made for leakage control then hydraulic actuation may be allowed. End effectors that use fluids for testing shall have the ability to control that fluid so that there is minimal loss to the waste tank. Methods of testing, types of fluids, and estimated losses to the waste tank shall be provided for Westinghouse Hanford Company (WHC) review and approval prior to Preliminary Design of the end effector. Actuators for TIP mounted end effectors are limited by the available utility services (see section 4.3.5).

4.2.12 Decontamination

End effectors shall be designed to allow for decontamination using CO₂ pellets as follows:

Pellet Size	- 1/8 inch diameter by 1/4 inch long
Pellet Density	- 1.56 g/cm ³
Pellet Velocity	- 75 to 1000 feet/second
Flow rate (at nozzle)	- 450 SCFM at 250 psi

End effectors shall be designed to allow for decontamination using a water spray generated by passing 500 psi (maximum) water through a nozzle at a nominal rate of 1.5 gallons per minute.

4.3 ELECTRICAL DESIGN CRITERIA

4.3.1 Electrical Design

All electrical design, electrical equipment, electronic equipment, and wiring shall be in accordance with applicable codes and standards. All in-tank end effectors shall be designed to meet the requirements for qualification under the National Electric Code for Class I, Division I, Group B components. Appendix B contains further details on the LDUA purge system and requirements that the end effector must meet in order to be compatible with it.

4.3.2 Electrical Enclosures and Cables

Enclosures for end effector electrical systems located outside the Operations Control Trailer or outside the At-Tank Instrument Enclosure shall be National Electrical Manufacturers Association (NEMA) Type 4 enclosures for outdoor locations that conform to NEMA ICS-6. Electrical cables located outside of electrical enclosures shall be rated for outdoor service per the NEC and shall be sunlight resistant and UL listed.

Cables that are run in the ventilation ducting in the OCT (this includes the route between the external cable entrance panel and the equipment mounting racks) shall be plenum rated.

4.3.3 Electrical Equipment and Wiring

End effector providers shall furnish the electrical and electronic equipment and cabling necessary to operate the end effector. LDUA end effectors and their support equipment shall use the infrastructure provided by the Operations Control Trailer, At-Tank Instrument enclosure, Fiber Optic Umbilical Cable, and TIP utility services in order to integrate properly with the LDUA system. This infrastructure includes equipment mounting racks, 110 VAC power, and signal cabling.

The following list provides specific LDUA infrastructure requirements for end effectors and their support equipment to follow. All end effectors and their support equipment shall:

- 1) use the ATIE and its services (see section 2.8) for:
 - a. mounting local support equipment
 - b. supplying 110 VAC power for local support equipment
 - c. connecting local support equipment to the Fiber Optic (FO) Umbilical (via the FO interface panel)
 - d. connecting to the LDUA purge system (see Appendix B).
- 2) use the Fiber Optic (FO) Umbilical (see section 4.3.6) for:
 - a. communicating between local support equipment in the ATIE and remote support equipment in the OCT
- 3) use the OCT (see section 2.9) for:
 - a. mounting remote support equipment
 - b. supplying 110 VAC power for remote support equipment
 - c. connecting remote support equipment to the Fiber Optic (FO) Umbilical (via the FO interface panel)
- 4) interface with the SDAS (see section 4.3.7)

In addition, LDUA deployed end effectors and their support equipment shall:

- 5) use the LDUA utility services provided at the TIP (see section 4.3.5)
- 6) use the ATIE (see section 2.8) for:
 - a. connecting local support equipment to LDUA utility services (via the end effector patch panel)

4.3.4 Power Loss

The system shall be designed such that a power surge, the loss of electrical power, or the return of lost power shall not result in damage to the end effector system.

4.3.5 Available TIP Utilities

Utility service lines (electrical and pneumatic) are provided in the LDUA for the end effector to use to connect to its support equipment outside the tank. The electrical service utilities include a number of signal circuits, power circuits, and coaxial cable circuits. These electrical services are carried from the TIP to the At-Tank Instrument Enclosure (ATIE) where they are made available to the end effector's support equipment by a patch panel that allows them to be manually switched among several end effectors. The three pneumatic utility service lines are carried from the TIP to quick-disconnect fittings on the exterior of the Vertical Positioning Mast (VPM) housing. One of the pneumatic lines is used for the LDUA purge system (see Appendix B). The other two lines are available for use by the end effector support equipment. Refer to Appendix A for further details.

4.3.6 Fiber Optic Umbilical Cable

The Operations Control Trailer (OCT) and the At-Tank Instrument Enclosure (ATIE) are connected by a WHC furnished Fiber Optic (FO) Umbilical Cable that provides many individual fibers. This FO umbilical carries the control and data signals from the equipment at the tank to the equipment in the OCT. End effector support electronics shall use this cable for communications between support electronics in the ATIE and OCT (appropriate copper-to-fiber conversion modules must be incorporated into the electronics). Each end effector is allocated two fibers, and more may be available with WHC approval. This umbilical is a 62.5 micron, multimode, glass fiber optic cable. Connector interface panels (using type ST¹ connectors) are provided at the ATIE and OCT. The FO Umbilical Cable terminates on one side of these interface panels. Short lengths of FO cable (WHC furnished) connect between the interface panels and end effector support electronics chassis mounted in the OCT or ATIE equipment racks.

4.3.7 Supervisory Data Acquisition System Interface

The end effector subsystem controller shall integrate with the Supervisory Data Acquisition System (SDAS). It shall use one of the standard SDAS interfacing approaches listed below. Only the basic framework of the approach is described in the list - the actual details must be resolved by discussion between the end effector provider and WHC.

- a) The end effector subsystem controller may interface with an OPTOMUX² input/output (I/O) multiplexor (MUX) in the ATIE using individual signal channels of common industrial type (0-10 VDC, 24 VDC on/off, etc.). This approach is most applicable to end effectors that have only a few functions and that do not generate significant amounts of data. WHC would typically provide the Labview³ virtual instrument (VI) software for the user interface.

¹ ST is a trademark of AT&T

² OPTOMUX is a trademark of OPTO22 Corp.

³ Labview is a trademark of National Instruments Corp.

- b) The end effector subsystem controller may interface with Versa Module Eurocard (VME) I/O cards in the OCT using individual analog, digital, or serial ASCII signal channels. WHC would prefer the use of VME cards for which there are existing SDAS driver software modules, but will consider the use of other cards. This interfacing approach is most applicable to end effectors that have more complex functions or more I/O channels, that generate moderate amounts of data, or that find it more convenient to implement the interface in the OCT. Either WHC or the end effector supplier (or both) may be responsible for writing the Labview virtual instrument (VI) software for the user interface and the driver software modules for new VME cards.
- c) The end effector subsystem controller may interface with the 10BaseT ethernet hub in the OCT and provide remote user interface software that runs on the SDAS Data Acquisition Workstation (SPARCStation10⁴ running the Solaris⁵ operating system). This software would use TCP/IP protocols to communicate with the end effector subsystem controller and with the appropriate SDAS software. This approach is most applicable to end effectors that have their own on-board computer and that are highly autonomous, or that generate considerable amounts of data. WHC would typically provide the Labview virtual instrument (VI) software that would launch the end effector's remote user interface software and that would read the data.

4.4 SOFTWARE DESIGN CRITERIA

All end effector system software shall be in accordance with the LDUA Software Development Plan, Westinghouse Hanford Company document WHC-SD-TD-SDP-001 (IEEE software standards may be used instead with the written approval of WHC).

5.0 APPLICABLE CODES AND STANDARDS

Applicable codes and standards shall be used in the design of all end effectors. The most current codes, standards, and orders shall be used. End effector systems shall be designed to meet or exceed the requirements of the listed codes and standards. All reference documents listed below shall be the latest revision as of January 1, 1994.

5.1 MATERIALS

The ASTM specification shall be documented for the 300 Series Stainless Steels and other materials that are selected for the fabrication of any component or structure in the end effector.

⁴ SPARCStation is a trademark of Sun Microsystems, Inc.

⁵ Solaris is a trademark of SunSoft Inc.

5.2 ELECTRONICS AND COMMUNICATION

Electronic Industrial Association

- RS-232 Interface Between Data Terminal Equipment and Data
Communication Equipment Employing Serial Binary Data
Interchange
- RS-281 Electrical and Construction Standards for Numerical Machine
Control
- RS-449 General Purpose 37 Position and 9 Position Interface for
Data Terminal Equipment and Data Circuit Terminating
Equipment Employing Serial Binary Data Interchange.
- RS-422-A Electrical Characteristics of Balanced Voltage Digital
Interface circuits
- RS-423-A Electrical characteristics of unbalanced voltage digital
interface circuits

5.3 ELECTRICAL

National Electrical Manufacturers Association (NEMA)

- ICS 1 Industrial Controls and Systems
- ICS 6 Enclosures for Industrial Controls and Systems

5.4 FIRE PROTECTION

National Fire Protection Association (NFPA)

- 70 National Electric Code (NEC)

5.5 SAFETY

Occupational Safety and Health Administration (OSHA)

- 29 CFR 1910 Occupational Safety and Health Standards

5.6 SOFTWARE

Institute of Electrical and Electronics Engineers (IEEE)

- 829 IEEE Standard for Software Test Documentation
- 830 IEEE Guide to Software Requirements Specifications
- 1063 IEEE User Documentation
- 983 IEEE Guide for Software QA Plans

American National Standards Institute (ANSI)

American Nuclear Society (ANS)

ANSI/ANS 10.4 Verification and validation of scientific and engineering computer programs.

5.7 DESIGN

ANSI Y14.5M Dimensioning and Tolerancing

SDC-1.3 Preparation and Control of Engineering and Fabrication Drawing

5.8 MACHINING

ANSI B46.1 Surface Finishes

ASA B1.1 Screw Threads

5.9 WELDING

American Welding Society (AWS)

AWS D1.1 Structural Welding Code for Steel

AWS A2.4 Weld Symbols

HS-V-S-0013* Welding of Structural Stainless Steel and Nickel Alloy Components

*Other standards for welding structural stainless steel may be acceptable with specific written WHC approval.

6.0 SAFETY

All aspects of safety shall be considered in the design of end effector systems. End effector designs will undergo safety analysis according to the LDUA System Safety Program Plan, WHC-SD-WM-WP-231.

7.0 QUALITY ASSURANCE

Quality Assurance/Control activities for all end effector providers involved in the design, fabrication, and acceptance testing shall be executed in accordance with the LDUA Quality Assurance Program Plan (QAPP) (WHC-SD-WM-QAPP-022). The QAPP shall be used to develop verification criteria in design documents, i.e., drawings, specifications, test procedures, and to define quality assurance interfaces.

8.0 REFERENCES

1. WHC-SD-TD-FRD-003, Functions and Requirements for the Light Duty Utility Arm Integrated System, Westinghouse Hanford Co., Richland, Washington, 1994. (Draft)
2. WHC-SD-TD-SDP-001, Light Duty Utility Arm Software Development Plan, Westinghouse Hanford Co., Richland, Washington, 1993.
3. WHC-SD-WM-QAPP-002, Quality Assurance Project Plan Light Duty Utility Arm (LDUA), Westinghouse Hanford Co., Richland, Washington, 1993.

APPENDIX A: TOOL INTERFACE PLATE DETAILS

This appendix contains a table and several figures that provide details about mounting end effector to the Tool Interface Plate (TIP) and about using the utility services that are available at the TIP.

Figures A-1 through A-3 show some details of mounting the end effector to the TIP:

- Figure A-1 is a cross section view of the two TIP halves showing end effector attachment arrangements.
- Figure A-2 is a top view of the TIP showing the locations of the countersunk access holes for the end effector mounting screws.
- Figure A-3 is drilling guide for the surfaces of the end effector that attach to the TIP, showing the location and sizes of the holes for the mounting screws and dowel pins.

Figures A-4 through A-10 show details of the utility services and how the interface to them is made.

- Table A-1 lists the TIP utility services that are provided to the end effector via the TIP.
- Figure A-4 is a top view of the TIP showing the placement of the utility services connectors and the arrangement of inserts in the Hypertronics⁶ electrical connectors.
- Figure A-5 is a block diagram of the end effector utility services showing how they are organized and routed between the TIP and the end effector support electronics. Approximate cable lengths are noted.
- Figures A-6 through A-10 show the detailed interface wiring information for the utility services electrical circuits.

⁶ Hypertronics is a trademark of Hypertronics Corp.

TABLE A-1 END EFFECTOR UTILITY SERVICES

UTILITY	# OF CONDUCTORS	SIZE	COMMENTS
Electrical	12	16 AWG (16 Pins)	4 Shielded Triplets
Signal	60	22 AWG (90 Pins)	Twisted/Shielded (30 pair)
Coaxial	2	75 Ohm RG-59U	Coaxial Pin Connector
Coaxial	2	50 Ohm RG-174	Coaxial Pin Connector
Water/Air	3	1/4 inch I.D. Hose (150 psi)	1 for air purge*, 1 air, 1 air/water
Conduit	1	1/2 inch I.D. flexible	(for adding future services)

* To meet the requirements for qualification under the National Electric Code for Class I, Division I, Group B components (see Appendix B).

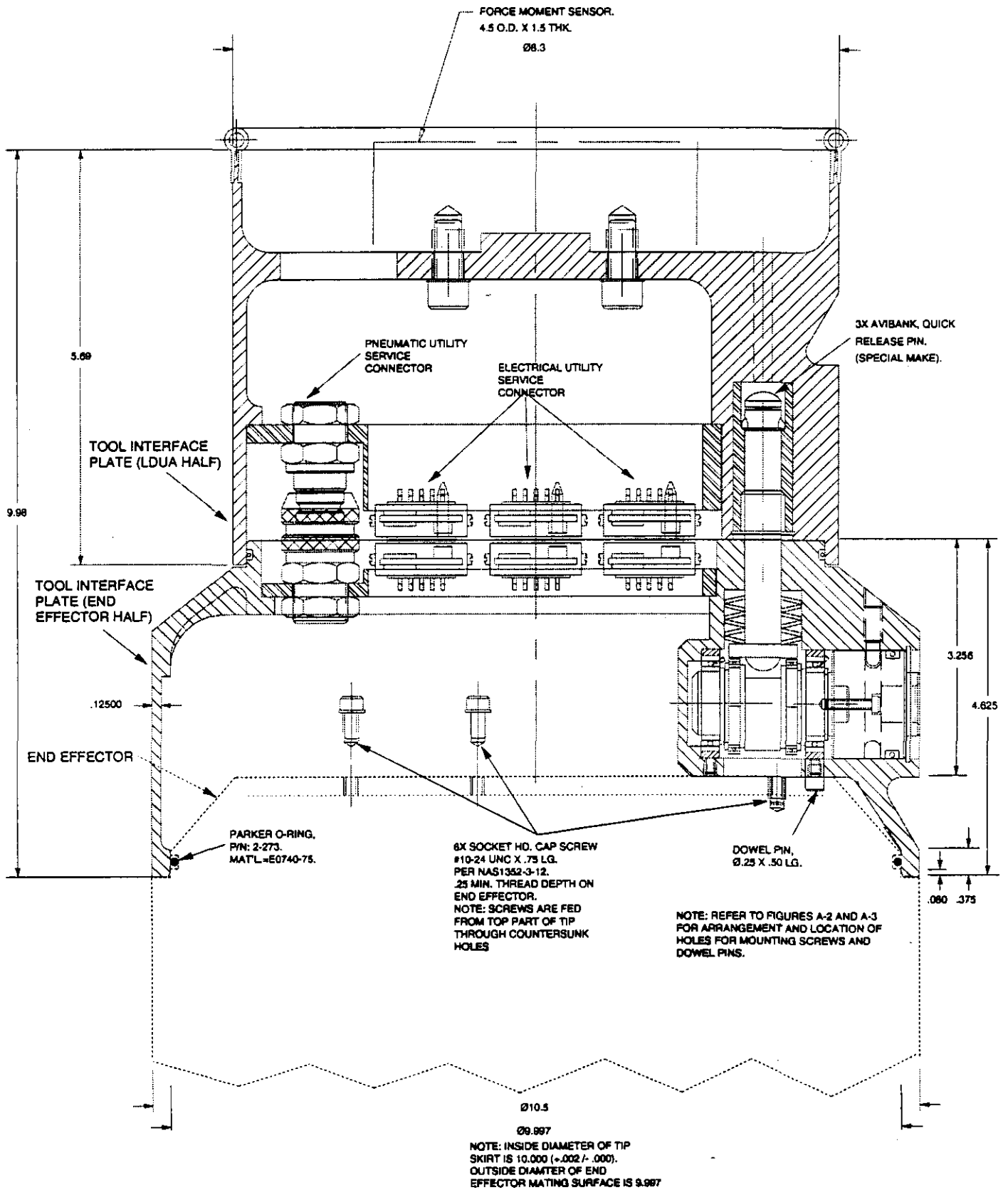
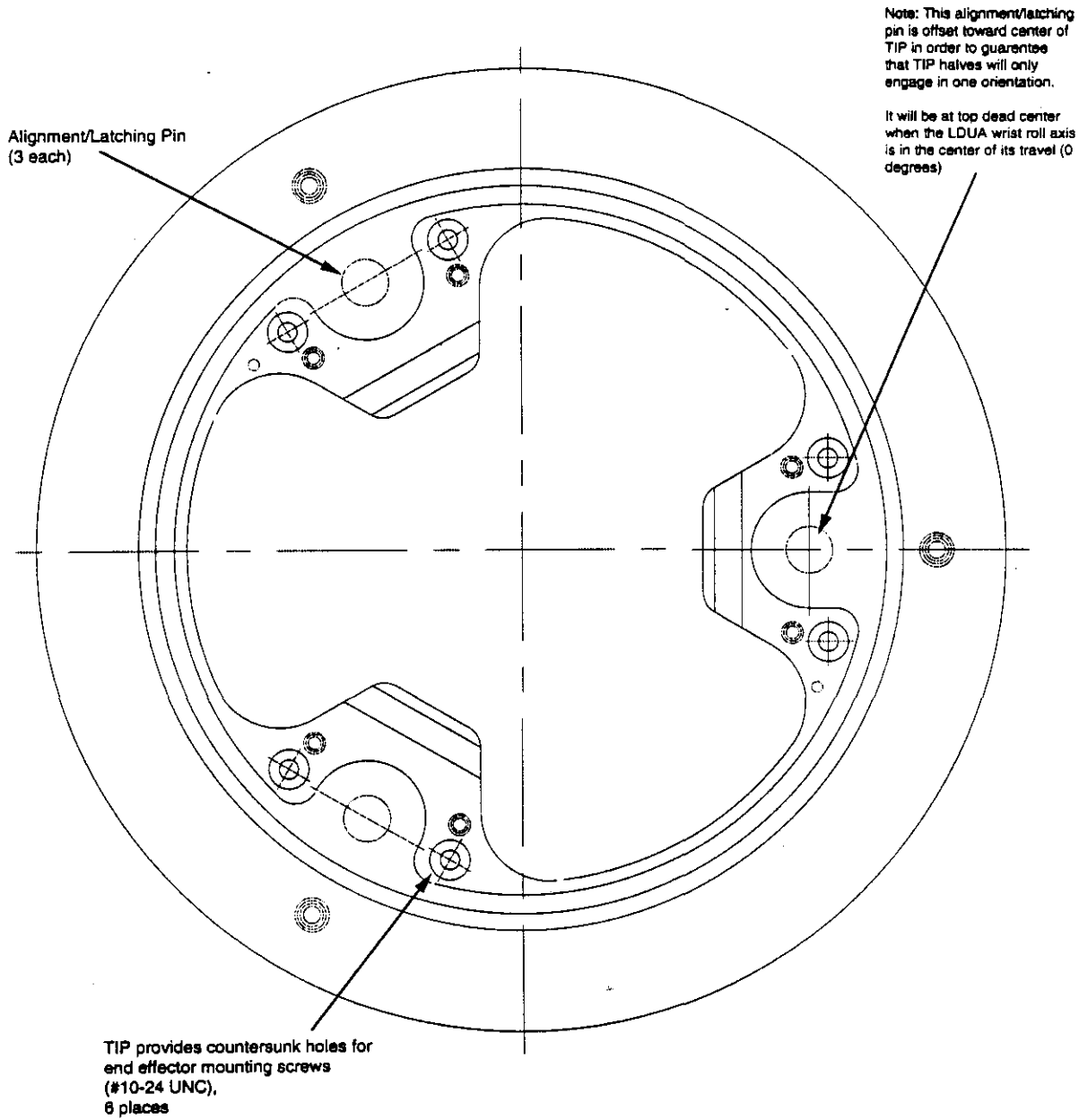
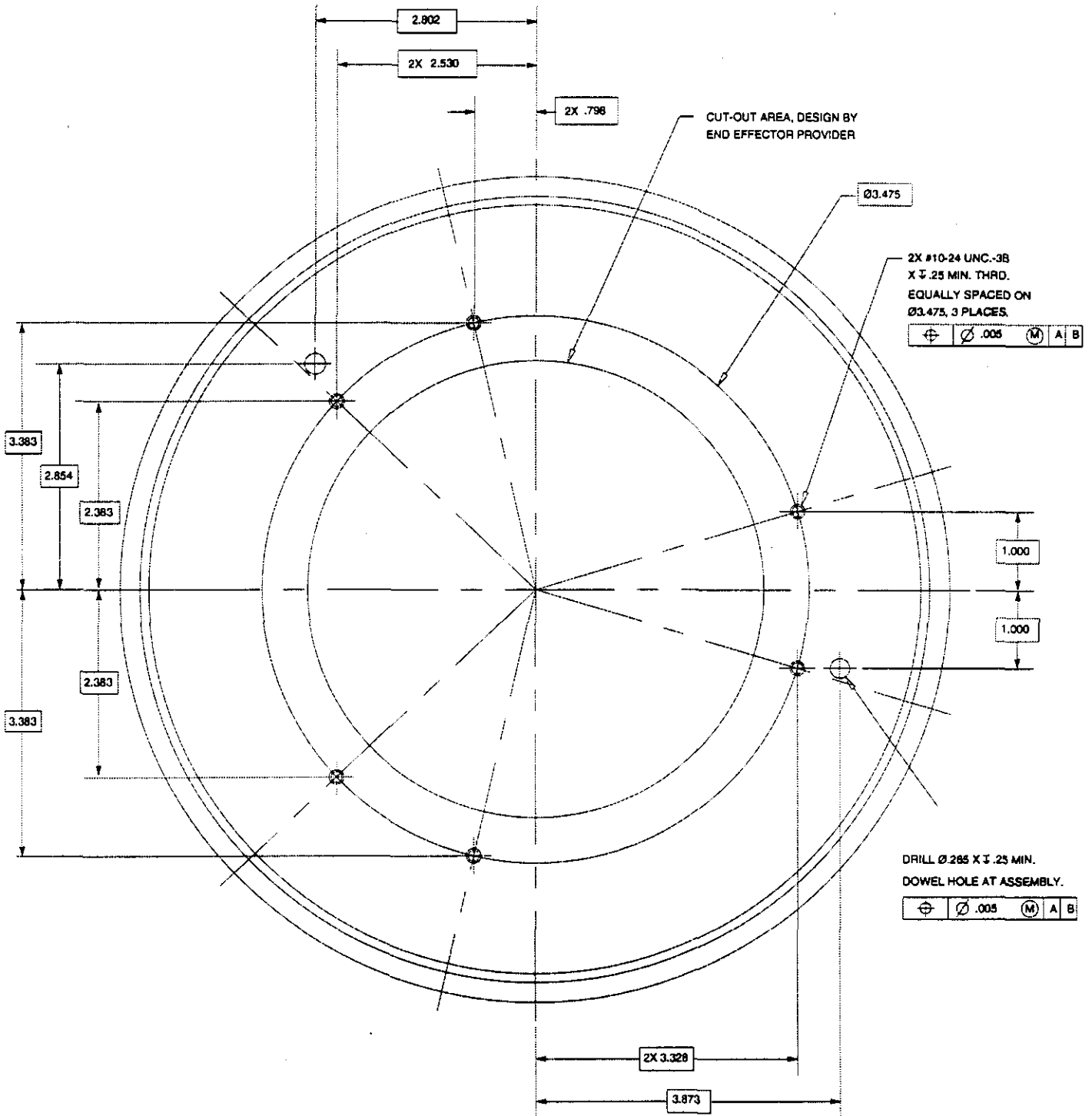


Figure A-1 TIP Assembly Showing End Effector Mounting



View is shown looking into the end effector half of the TIP from the LDUA half of the TIP (the mounting plate for utility service connectors is shown removed)

Figure A-2 TIP End Effector Mounting Features



View is shown looking at mating surface of end effector from TIP

Figure A-3 Hole Locations For End Effector Mounting

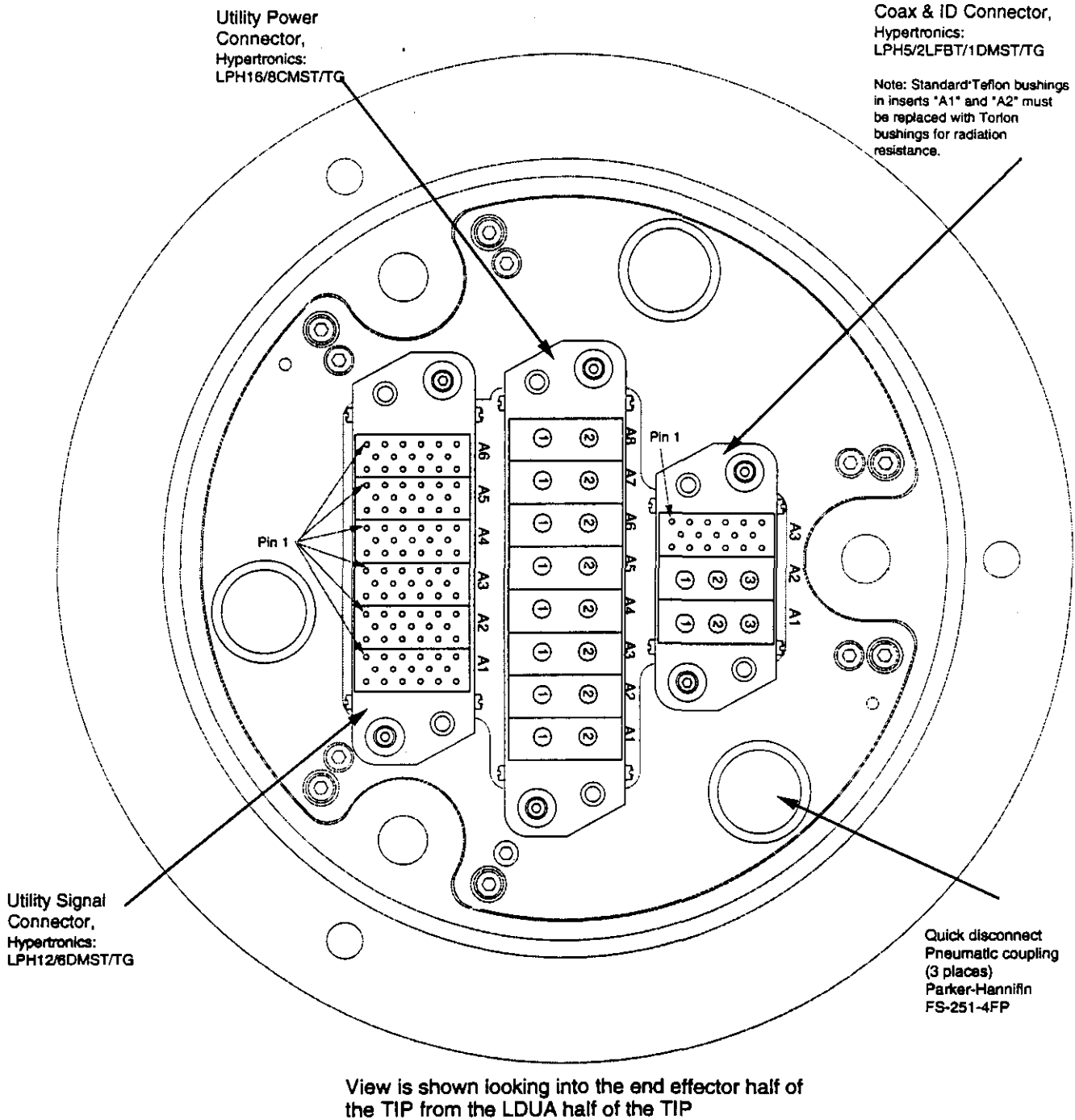


Figure A-4 Top View of TIP Showing Connector Arrangement

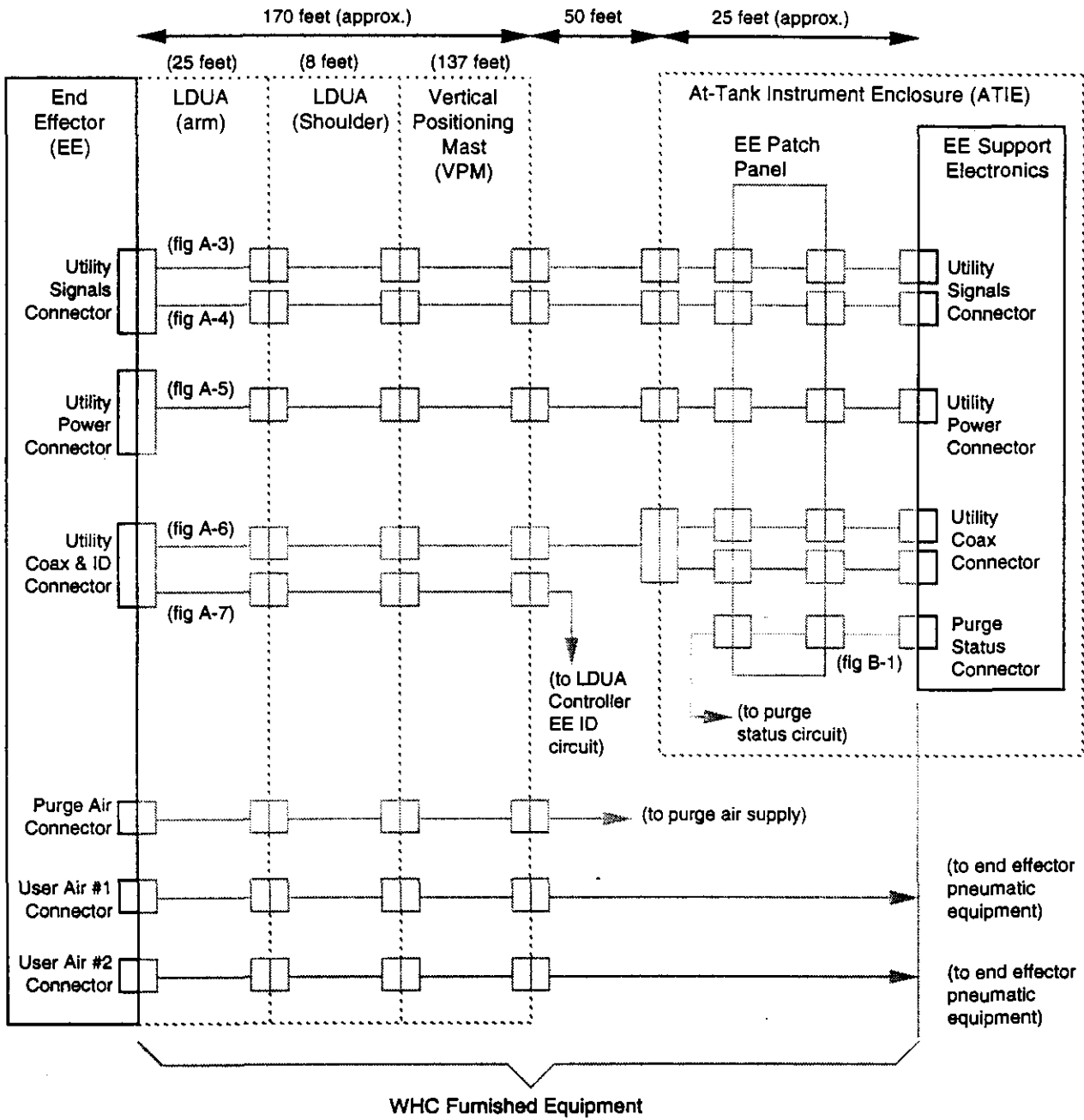
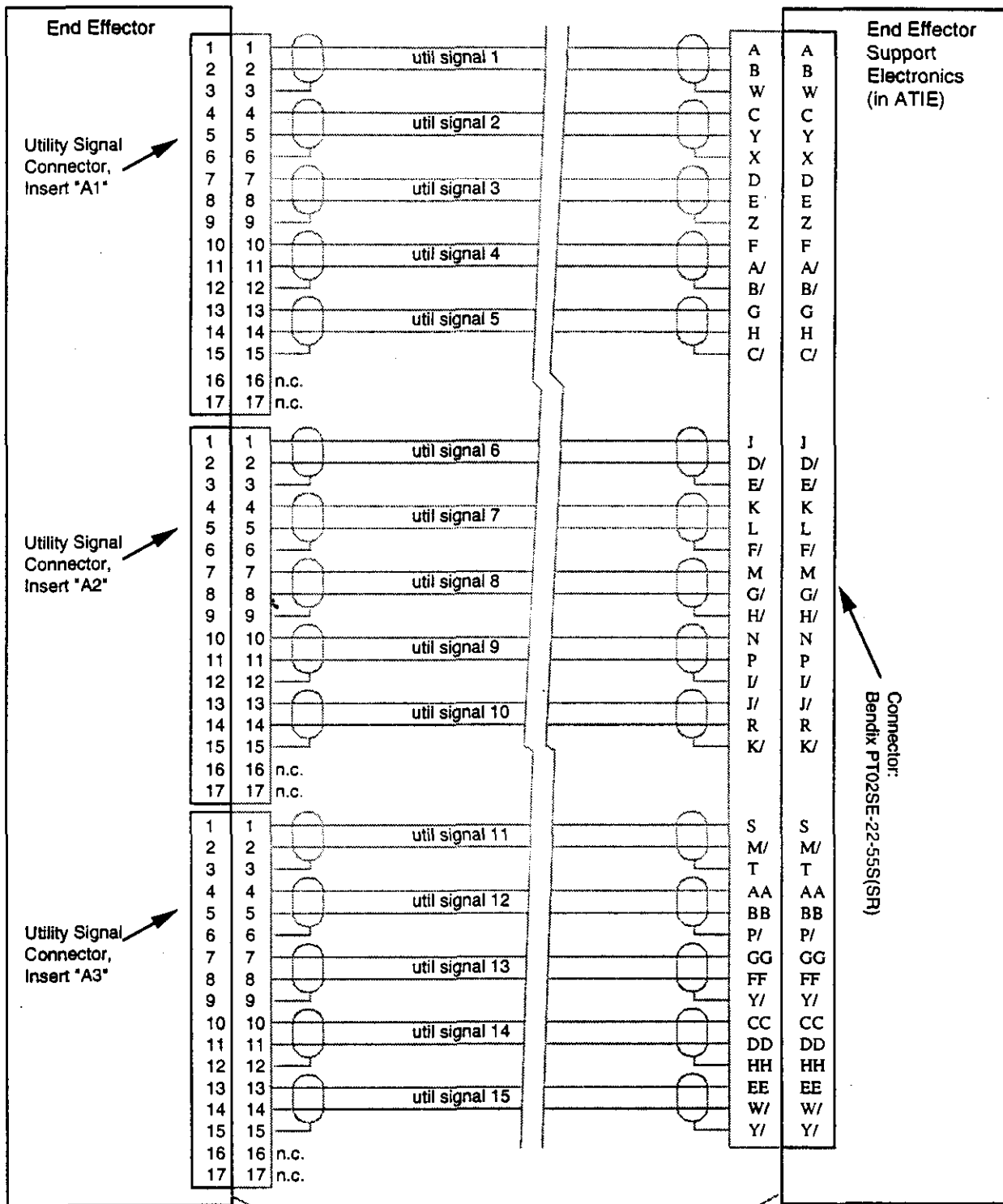


Figure A-5 TIP Utility Services



WHC furnished equipment)

Figure A-6 Interface Wiring For EE Utility Signals 1-15

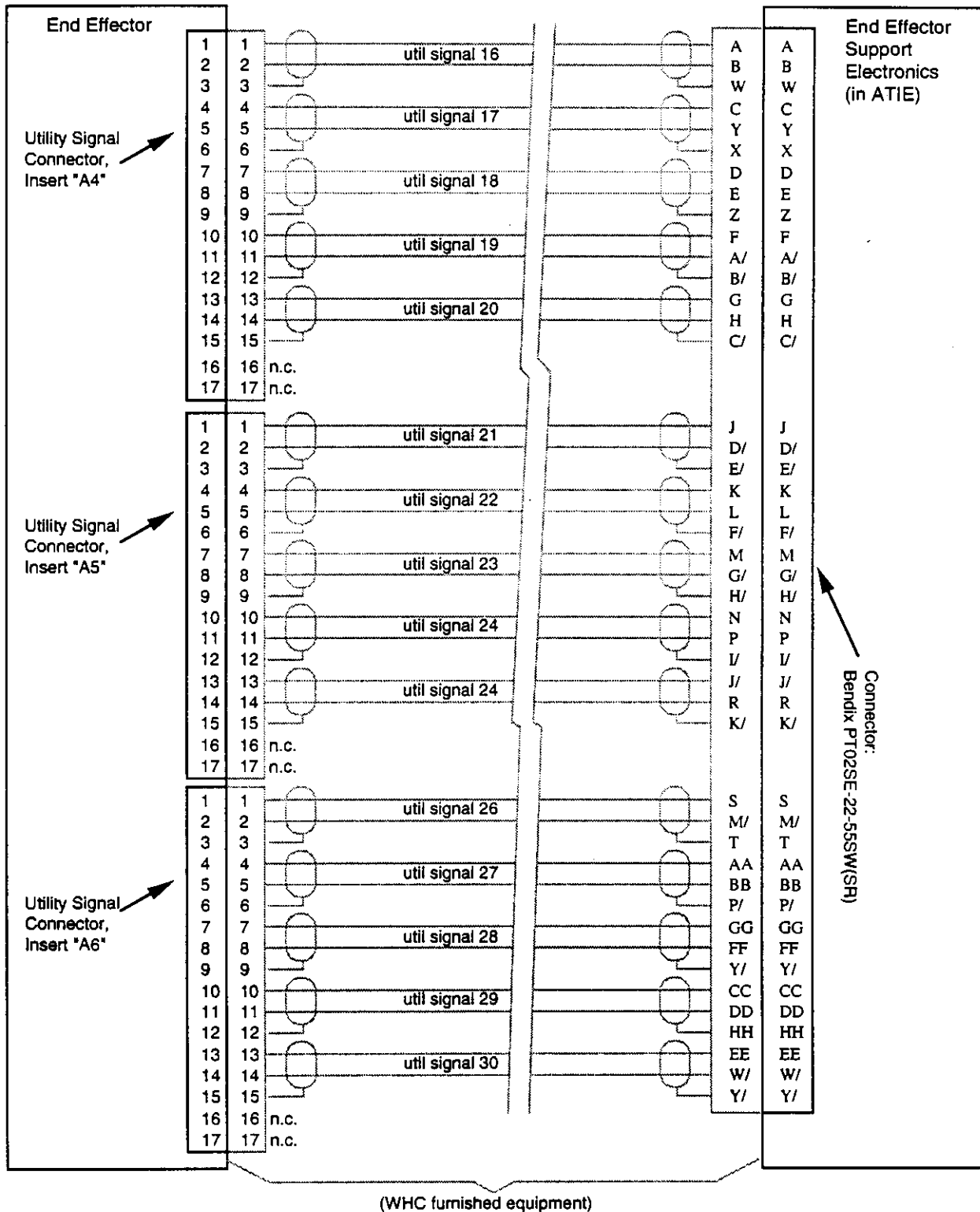


Figure A-7 Interface Wiring For EE Utility Signals 16-30

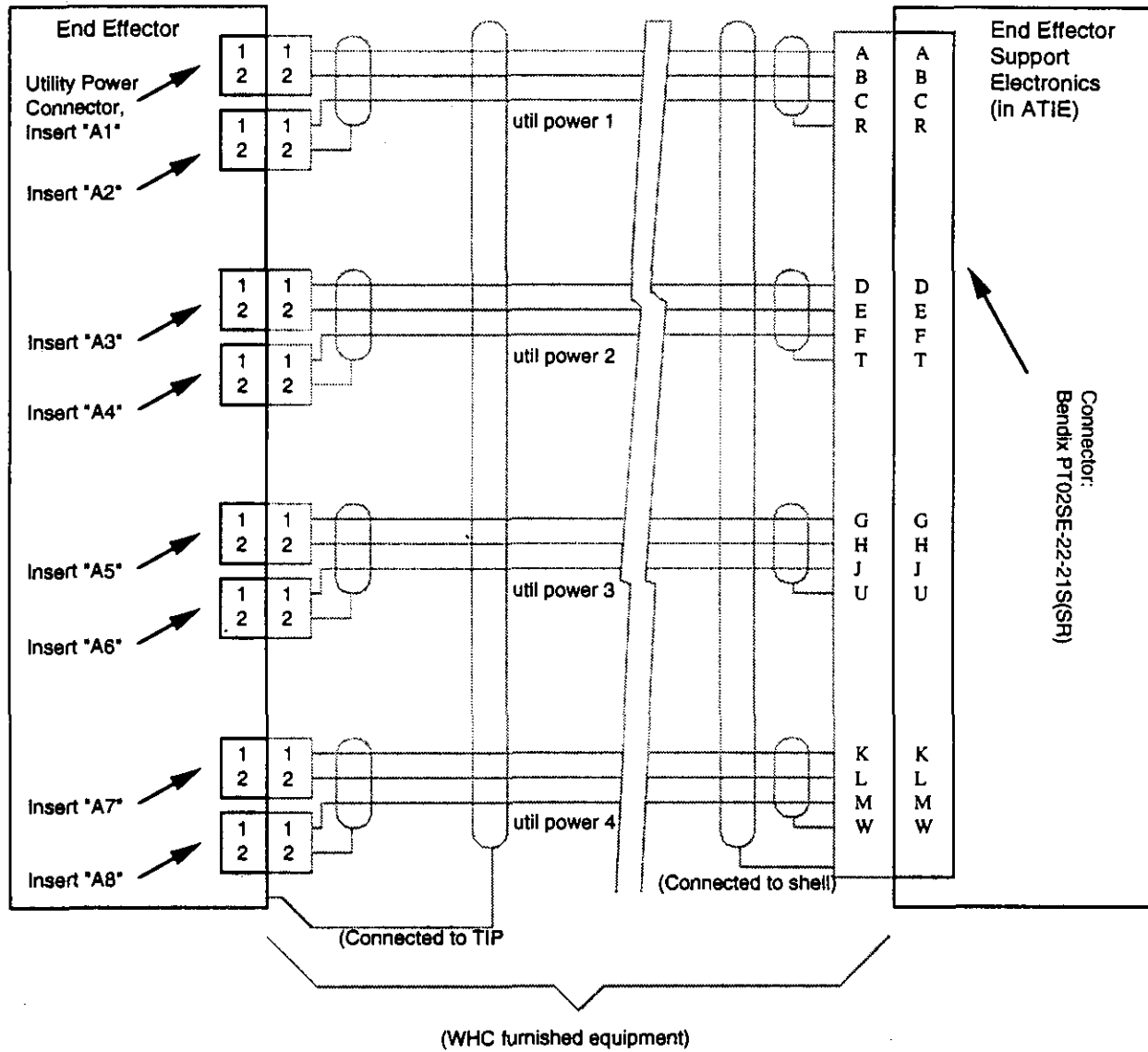


Figure A-8 Interface Wiring For EE Utility Power

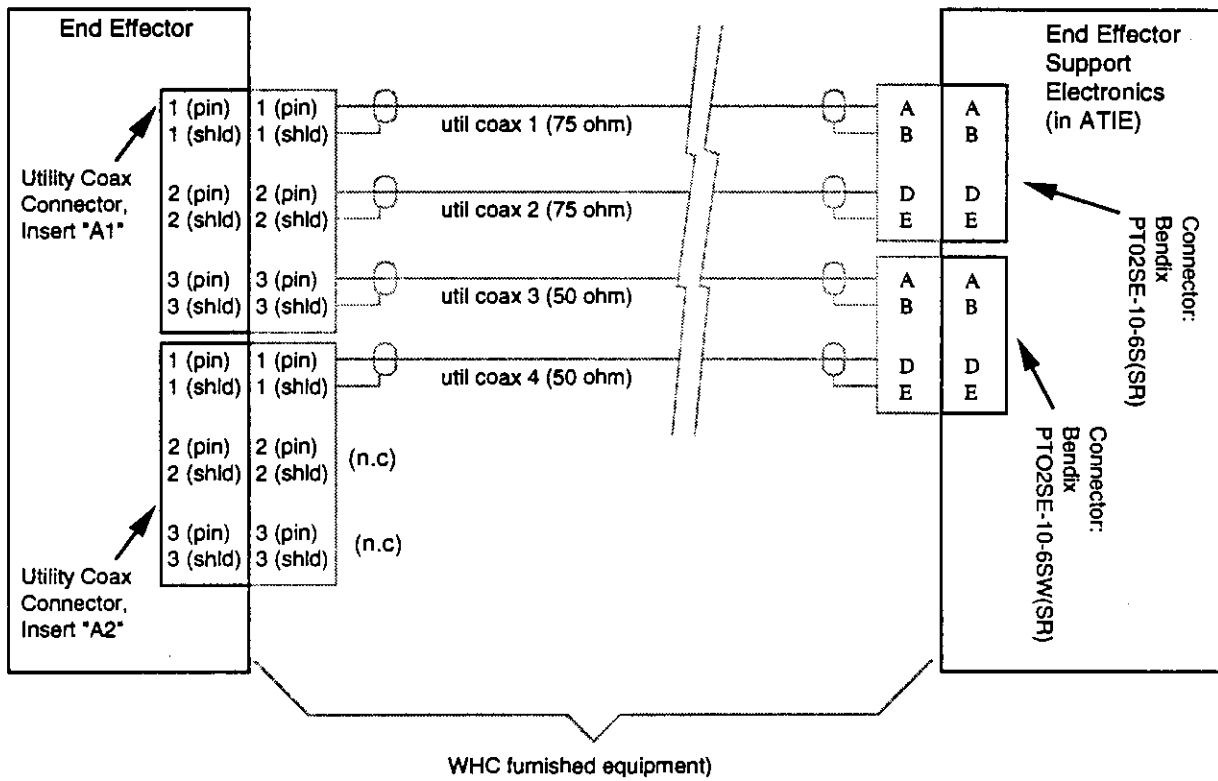
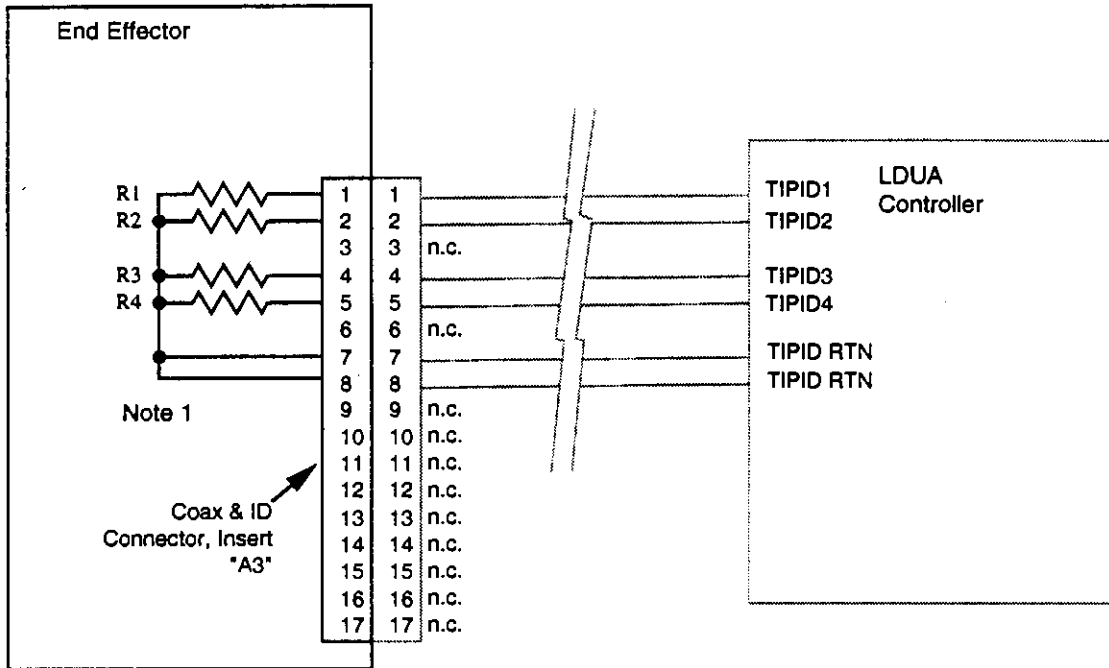


Figure A-9 Interface Wiring For EE Coaxial Cables



Note 1: An electronically readable identification number is established in the end effector by a suitable combination of resistor values. The customer is responsible for assigning EE identification numbers, and the EE provider is responsible for implementing the identification circuit. (Resistors are standard 0.25 watt, 5 per cent units).

EE Identification Number	R4	R3	R2	R1
0	820	820	820	820
1	820	820	820	6.2K
2	820	820	6.2K	820
3	820	820	6.2K	6.2K
4	820	6.2K	820	820
5	820	6.2K	820	6.2K
6	820	6.2K	6.2K	820
7	820	6.2K	6.2K	6.2K
8	6.2K	820	820	820
9	6.2K	820	820	6.2K
10	6.2K	820	6.2K	820
11	6.2K	820	6.2K	6.2K
12	6.2K	6.2K	820	820
13	6.2K	6.2K	820	6.2K
14	6.2K	6.2K	6.2K	820
15	6.2K	6.2K	6.2K	6.2K

Figure A-10 Interface Wiring For EE Identification Circuit

APPENDIX B: LDUA PURGE SYSTEM DETAILS

The LDUA System is purged by a constant low flow of instrument grade (clean, low moisture) air. This purge flow enables it to meet National Electric Code requirements for operation in Class 1, Division 1, Group B flammable atmospheres by maintaining the internal pressure of the end effector, LDUA, and VPM above the pressure of the external atmosphere (in accordance with National Fire Protection Association [NFPA] 496⁷). This pressure differential also keeps the interior surfaces of these components from becoming contaminated in the event of seal leakage. Purge air is carried into the end effector by one of the pneumatic utility service lines. The purge air is released into the end effector and flows through it into the LDUA via vent openings provided in the TIP. The purge flow continues through the whole length of the LDUA and into the inner and then outer VPM tubes. From the outer VPM tube, it passes into the VPM housing from where it is exhausted into the TRIC. Differential pressure sensors monitor the purge pressure in the inner VPM tube and the VPM housing. These sensors are referenced to the tank pressure, which is obtained by a pressure tap below the Riser Isolation Valve. An alarm is generated if the pressure falls below the required level. In addition, the LDUA control system can be selectively enabled to remove all electrical power from the purged volume (this mode is enabled when operating in tanks with flammable atmospheres and disabled when operating in non-flammable tanks).

In order to properly operate with the LDUA purge system, the end effector and its support equipment shall:

1. Maintain purge air flow path: The end effector shall arrange for purge air to flow from the designated pneumatic utility service connector in the TIP into the end effector, sweep the internal volume of the end effector, and pass from the end effector into the LDUA via the air flow passages in the TIP.
2. Interrupt electrical power on loss of purge pressure: The support electronics for the end effector shall remove electrical power from the end effector upon loss of purge pressure in accordance with NFPA 496. The recommended method to do this is by using a purge pressure status signal that is available in the At-Tank Instrument Enclosure (ATIE) (refer to Figure B-1). This signal originates with the LDUA purge pressure sensors and is in the form of a set of relay contacts that open when LDUA purge pressure falls below the acceptable limit. Alternatively, the end effector may arrange to provide its own sensors to monitor the differential pressure between its internal volume and the tank atmosphere. In that case, the end effector provider is responsible for all other aspects of NFPA 496, including the provision for there being a time delay in restoring power following loss of pressure.
3. Withstand single point failures: There shall not be any single point failures that could prevent the removal of electrical power from the end effector when purge pressure is insufficient.

⁷ National Fire Protection Association, "Purged and Pressurized Enclosures for Electrical Equipment"

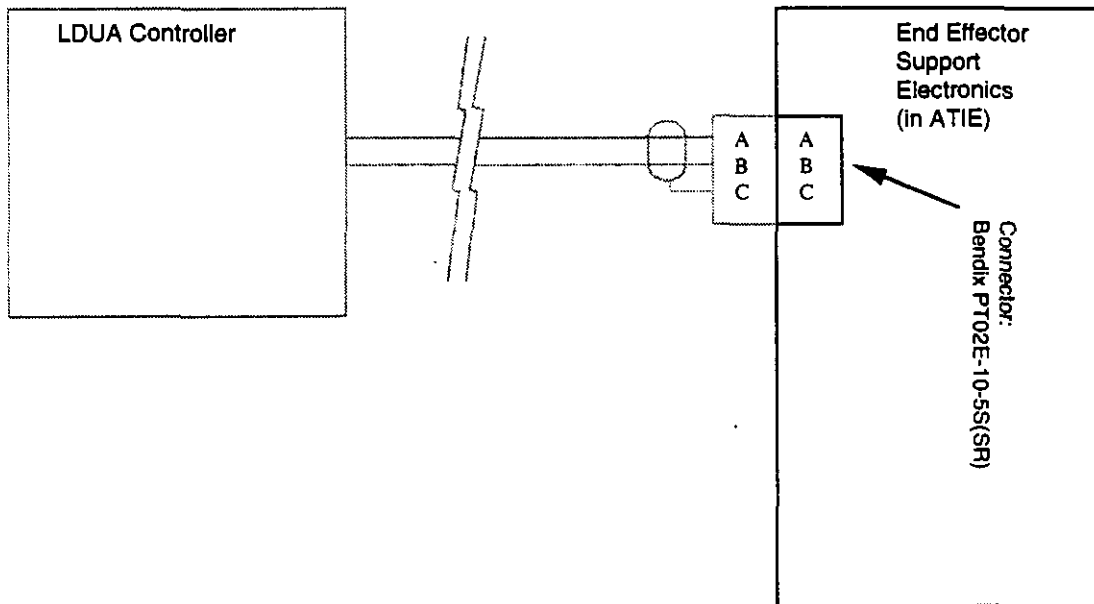


Figure B-1 Interface Wiring For Purge Status Circuit

DISTRIBUTION SHEET

To Distribution	From G. R. Kiebel/Remote System and Sensor Applications	Page 1 of 1 Date 12/11/95
Project Title/Work Order Light Duty Utility Arm		EDT No. ECN No. 165799

Name	MSIN	Text With All Attach.	Text Only	Attach./ Appendix Only	EDT/ECN Only
B. A. Carteret	N1-21	X			
D. S. Dutt	N1-21	X			
G. R. Kiebel	N1-21	X			
A. F. Pardini	N1-21	X			
T. J. Samuel	N1-21	X			
LDUA Project File 2.1.5.1 (10)	N1-21	X			

Central Files orig + 1 *A3-89* *X*
~~*OSTI (S)*~~ ~~*E6-44*~~